






## AIR SPEED PROBES WITH SICRAM MODULE FOR PORTABLE INSTRUMENTS

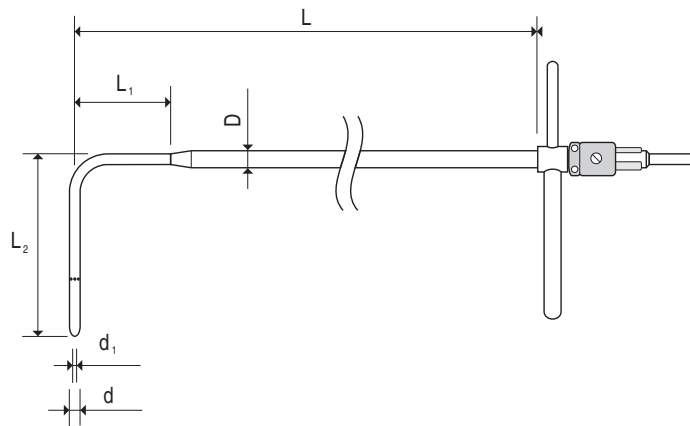
Code	Range m/s	Range Temp. °C	
<b>HOT-WIRE</b>			
AP471S1	0.02...40	-25...+80 °C	<p style="text-align: center;">L= 360±1060 Ø 8</p>
AP471S2	0.02...5		<p style="text-align: center;">L= 360±1060 Ø 8</p>
AP471S3	0.02...40		<p style="text-align: center;">L= 450±1140</p>
AP471S4	0.02...5	0...+80 °C	<p style="text-align: center;">L= 380±760</p>
<b>VANE</b>			
AP472S1	0.6...25	-25...+80 °C	<p style="text-align: center;">Ø 100</p>
AP472S2	0.5...20		<p style="text-align: center;">Ø 60</p>
AST1	Telescopic shaft min. length 220 mm Telescopic shaft max. length 870 mm		

## MODULES FOR PITOT TUBES

Code	Range Diff. Press. mbar	Range Speed m/s	
AP473S1	10 f.s.	2...40	
AP473S2	20 f.s.	2...55	
AP473S3	50 f.s.	2...90	
AP473S4	100 f.s.	2...130	
PW	Connection cable between module AP473S... and Pitot tube provided with TC		

## PITOT TUBES

Stainless steel Pitot tubes to measure air speed and temperature, for models provided with 'K' thermocouple, equipped with 2 pieces silicon tube of 1.5 m length each and ext.  $\varnothing 6$  mm / int.  $\varnothing 4$  mm. PW cable has to be ordered separately.



	d mm	d <sub>1</sub> mm	D mm	L mm	L <sub>1</sub> mm	L <sub>2</sub> mm	Temp. °C	K Thermocouple	Material
T1-300	3	1	6	300	30	72	0...600 °C	---	AISI 316
T2-400	5	2	8	400	45	120		---	
T3-800	8	3.2	8	800	---	192		---	
T3-800TC	8	3.2	8	800	---	192		TC	

For other lengths, please contact Delta OHM – sales@deltaohm.com



In order to ensure the quality of our instruments, we are constantly re-evaluating our products. Improvements can imply changes in specification; we advise you to always check our website for the newest version of our documentation.

We look forward to your enquiry:

Phone - +39 049 897 7150

Email - sales@deltaohm.com

**Delta OHM S.r.l.**

Single Member Company subject to direction and coordination of

GHM MESSTECHNIK GmbH

Via Marconi 5 | 35030 Caselle di Selvazzano (PD) | ITALY

Rev. 1.1 - 01/22