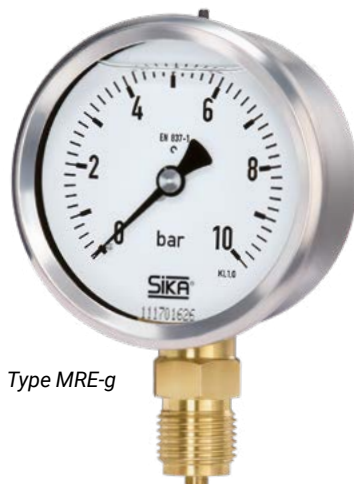


Bourdon tube pressure gauges // industrial version

Type MRE-g




Type MRE-g



Highlights

- Suitable for outdoor use - Closed system
- Case complete stainless steel
- Without electrical auxiliary power

Technical data

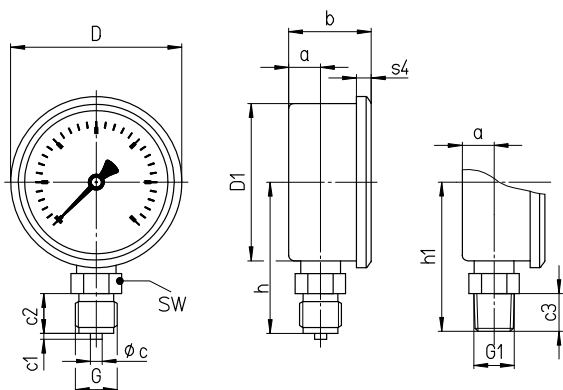
Type	MRE-g
Version	Crimped-on ring case
Nominal size	80 mm
Accuracy	EN 837-1, class 1.0 and class 1.6 (for display ranges 0...600 bar and 0...1000 bar)
Medium / Application	Liquid and gaseous media
Process connection	Thread see table, brass, optional stainless steel
Measurement system	Bourdon spring bronze, optional stainless steel
Degree of protection according to EN 60529	IP65 for filled cases with closed pressure compensation insert
Ambient temperature	-40 to 60 °C (-20 to 60 °C with case filling)
Storage temperature	-40 to 70 °C (-20 to 70 °C with case filling)
Medium temperature	Devices with brass connection max. 60 °C Devices with stainless steel connection max. 200 °C (max. 100 °C with case filling)
Nominal use temperature	20 °C*
Pressure load capacity	Of full-scale value
→ Resting load	75 %
→ Dynamic load	65 %
→ Overload	Max.
Approvals	

* The pressure gauges are calibrated at a reference temperature of 20 °C. At other operating temperatures the maximum indication error is ± 0.4 % of full scale value per 10 °C difference in accordance with EN 837-1.

Types and dimensions

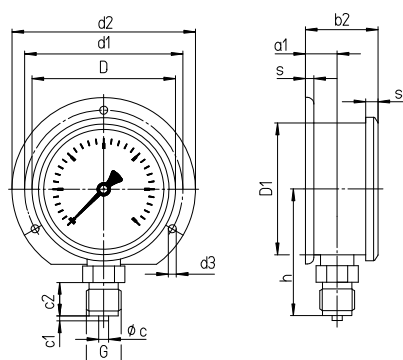
Without mounting flange

Bottom connection



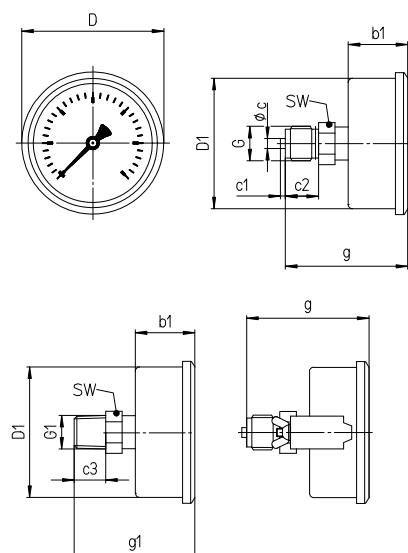
With rear flange

Bottom connection



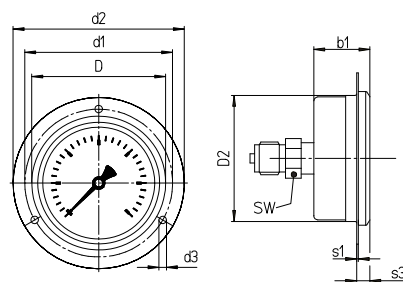
Without mounting flange (available with u-clamp)*

Central back connection



With front flange**

Central back connection



- * Recommended panel cut out $\varnothing 81 \pm 0.5$ mm
- ** Recommended panel cut out $\varnothing 84 \pm 0.5$ mm

Dimensions [mm]

NS	D	D1	D2	a	a1	b	b1	b2	c	c1	c2	c3	d1	d2
80	86	79	81	16	19	41.5	36	44	6	3	20	19	95	110

Dimensions [mm]


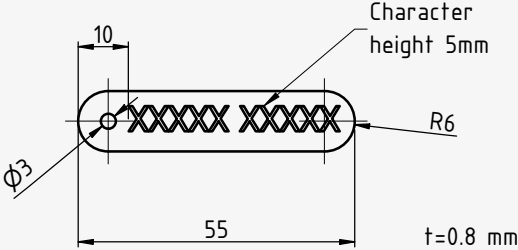
NS	d3	G	G1	g	g1	h	h1	s	s1	s3	s4	SW	Weight [kg] (approx.)*	
													unfilled	filled
80	4.8	G½ B M20 x 1.5	½ NPT	74	73	76	75	5	1	9	8	22	0.34	0.50

* Data applies to versions without mounting flange

Article numbers

Order code									
Bourdon tube pressure gauges, industrial version									
Crimped-on ring case	MREG								
Nominal size									
80 mm		2							
Connection thread									
G½ B bottom				1					
G½ B central back connection				2					
M20 x 1.5 bottom				3					
M20 x 1.5 central back connection				4					
½ NPT bottom				B					
½ NPT central back connection				C					
Connection material									
Brass							1		
Stainless steel							3		
Display ranges									
-1...0 bar								315	
-1...0.6 bar								505	
-1...1.5 bar								515	
-1...3 bar								525	
-1...5 bar								535	
-1...9 bar								545	
-1...15 bar								555	
0...0.6 bar								015	
0...1 bar								025	
0...1.6 bar								035	
0...2.5 bar								045	
0...4 bar								055	
0...6 bar								065	
0...10 bar								075	
0...16 bar								085	
0...25 bar								095	
0...40 bar								105	
0...60 bar								115	
0...100 bar								125	
0...160 bar								135	
0...250 bar								145	
0...400 bar								155	
0...600 bar								165	
0...1000 bar								175	
									only with stainless steel connection available
Mounting flange									
None									0
Rear flange									1
Front flange									2
U-clamp									3
Options									
None									0
Filled case									
Unfilled case									0
Filled case (glycerine)									G
Example order number	MREG	2	1	1	315	0	0	0	0

Accessories

Accessories	Article number
<p>Measuring point designation Laser-inscribed stainless steel plate with fixing wire for easy attachment to measuring points</p> <ul style="list-style-type: none">→ Scope of delivery: Designation plate inscribed according to specification and enclosed fixing wire (sealing wire)→ Fastening: Wire (included in delivery), alternatively sealing, cable ties or similar (not included in delivery)→ Materials: Plate stainless steel 1.4571, wire stainless steel→ Dimensions: Plate 55 x 10 x 0.8 mm, wire length 180 mm→ Inscription: one-sided, single-line, max. 11 characters, character height 5 mm, designation width max. 40 mm, letters, numbers, symbols, barcodes, QR codes→ Transmission of designations: digital list, file formats Excel, Word or CSV  	<p>ONSITETAG</p>