



SLK-94T

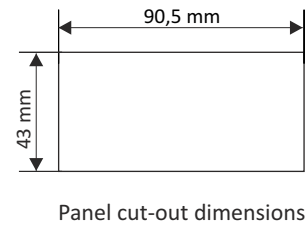
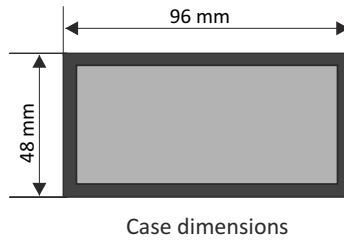
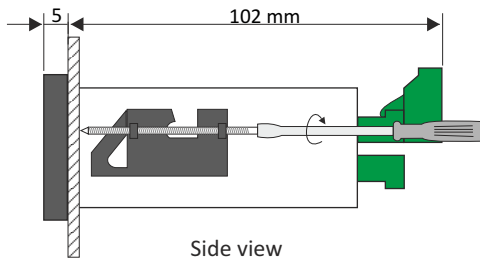
- ❑ fast quadrature counter, $f_{inp} = 250$ kHz
- ❑ 1 pulse quadrature counting input
- ❑ 2 programmable function inputs
- ❑ 4 REL / OC outputs
- ❑ prescaler and digital filter
- ❑ RS-485 / Modbus RTU
- ❑ ACCESS option - easy threshold modification
- ❑ free configuration software S-Config

The counter type **SLK-94T** is equipped in 2 programmable inputs which allows external reset of selected counter (or group of counters) or change of counting direction (regardless of quadrature signal phase). Is designed to cooperation with quadrature incremental encoders. The unit can control up to 4 external devices (motors, signalling devices) via build in relay outputs, every in one of two modes (NO and NC). Activation of particular output can be done after achieving of preset value (threshold) by the counter. All inputs of the counter are separated. The counter can be configured with the local keyboard or free S-Config software via the RS-485 communication port.

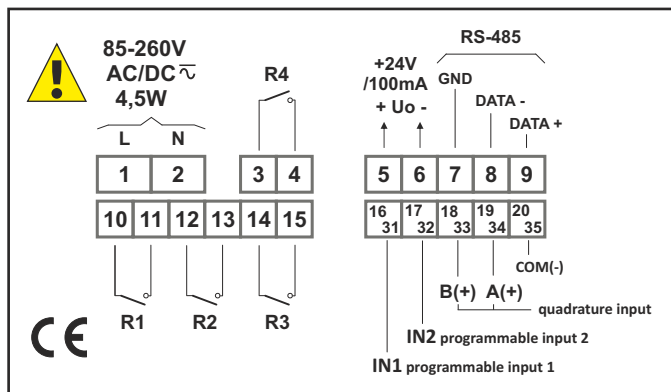
TECHNICAL DATA

Power supply	19V ÷ 50V DC; 16V ÷ 35V AC or 85 ÷ 260V AC/DC, all separated
Power consumption	for 85 ÷ 260V AC/DC and 16V ÷ 35V AC power supply: max. 4,5 VA; for 19V ÷ 50V DC power supply: max. 4,5 W
Display	LED, 6 x 13 mm high, red, brightness adjustable in 8 steps
Displayed values range	current values counter: -99999 ÷ 999999 + decimal point cycles counter ("normal" mode): 0 ÷ 999999 cycles counter ("marker" mode): -99999 ÷ 999999 + decimal point totalizer counter: -9999999999 ÷ 9999999999
Inputs	pulse, galvanically isolated: - counting, quadrature - 2 x programmable - common
Input levels	low level: 0 V ÷ 1 V; high level: 10 V ÷ 30 V (12 mA @ 24V)
Input frequency	250 kHz max.
Binary outputs	4 x REL $I_{max} = 1A$, $U_{max} = 30VDC/250VAC$ ($\cos\phi = 1$) or OC $I_{max} = 30mA$, $U_{max} = 30VDC$, $P_{max} = 100mW$
Power supply output	24V DC +5%, -10% / max. 100 mA, stabilized
Communication interface	RS-485, 8N1 and 8N2, 1200 bit/s ÷ 115200 bit/s, Modbus RTU (not galvanically isolated)
Data memory	non-volatile memory, EEPROM type
Operating temperature	0°C ÷ +50°C (standard), -20°C ÷ +50°C (option)
Storage temperature	-10°C ÷ +70°C (standard), -20°C ÷ +70°C (depending on option)
Protection class	IP 65 (front), available additional frame IP 65 for panel cut-out sealing; IP 20 (case and connection clips)
Case	panel mounting; material: NORYL - GFN2S E1
Dimensions	case (WxHxD): 96 x 48 x 100 mm panel cut-out dimensions: 90,5 x 43 mm installation depth: min. 102 mm board thickness: standard 7 mm or other depending on used board thickness brackets (see Accessories)
Weight	220 g max.

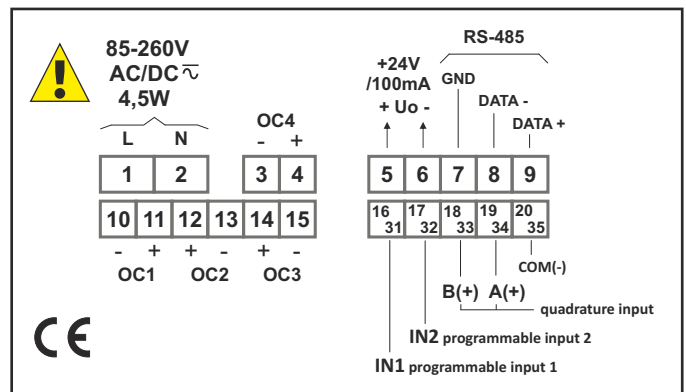
DIMENSIONS



EXAMPLARY PIN ASSIGNMENT



version with 4 x REL



version with 4 x OC

ORDERING

SLK-94T-164X-1-X-XX1

options:

- 00 : no options
- 01 : IP 65 frame
- 08 : operating temp. -20°C ÷ +50°C
- 0P : IP 65 frame + operating temp. -20°C ÷ +50°C

power supply:

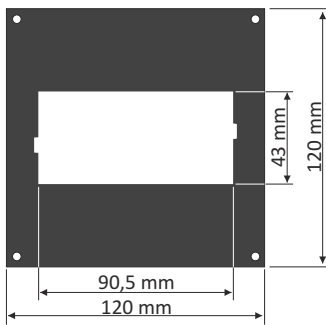
- 3 : 24V AC/DC
- 4 : 85V - 260V AC/DC

type of outputs:

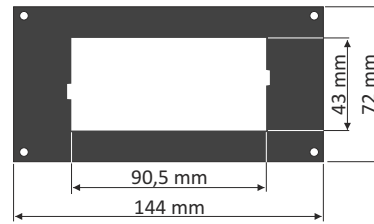
- 1 : REL
- 2 : OC



MOUNTING PLATES



SMP-99/94
to mount 96 x 48 mm
size unit in place
of 96 x 96 mm cut-out



SMP-147/94
to mount 96 x 48 mm
size unit in place
of 144 x 72 mm cut-out

BOARD THICKNESS BRACKETS / ADAPTORS



SPH-07
1 ÷ 7 mm board thickness
brackets (2 pcs)
standard included with device



SPH-45
1 ÷ 45 mm board thickness
brackets (2 pcs)

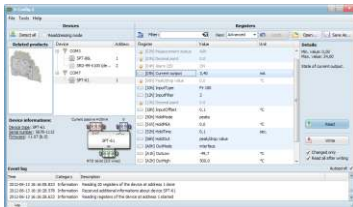


SPH-05
1 ÷ 5 mm board thickness
brackets (2 pcs)



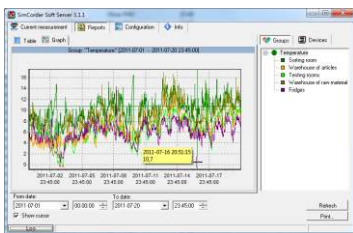
SRH-94
brackets for mounting devices
on DIN 35/7.5 or 15 rail (2 pcs)

SOFTWARE



S-Config 2 is used for the simultaneous detection of devices in multiple Modbus RTU networks and allows user to change the configuration of most of them. For each detected device a list of its registers, which the user can modify, is displayed and also additional informations about device parameters (type, address in the network, etc.).

S-Config software can be downloaded from SIMEX website at www.simex.pl



SimCorder Soft is a visualisation application created to facilitate work with advanced networks of the SIMEX devices, for acquisition, visualisation, reporting, archiving, exporting and printing of measurement data from all network devices. You can download measurements from the devices automatically or on demand. There is a possibility of immediate notification about emergency states via SMS or e-mail, which will often allow to quickly resolve an arising problem while avoiding long and expensive stoppages. You can view the measurement data, emergency states and configuration via the internet at every time.

CONVERTERS



The **SRS-U4** converter is designed to connect a USB host to slave devices equipped with RS-485 interface. The PC with special software can be used as a host. The **SRS-U4** unit guarantees full galvanic isolation between USB and RS-485 circuits. The converter can work with any devices equipped with RS-485 interface and contains integrated circuit which supports USB 1.1 and USB 2.0 standards. The main purpose is connection of PC host computer with industrial data acquisition and visualisation systems based on RS-485 interface.

The **SRS-U4** can be also manufactured with DIN mounting adaptor.