



KERN & Sohn GmbH

Ziegelei 1

D-72336 Balingen

E-Mail: info@kern-sohn.com

Tel: +49-[0]7433- 9933-0

Fax: +49-[0]7433-9933-149

Internet: www.kern-sohn.com

Assembly instructions Tripods

KERN SFE-A01 / A02 / A03

Version 2.0

04/2014

GB



Example SFE-A02

SFE-A01/A02/A03-IA-e-1420



KERN SFE-A01 /A02 / A03

Version 2.0 04/2014

Assembly instructions Tripod

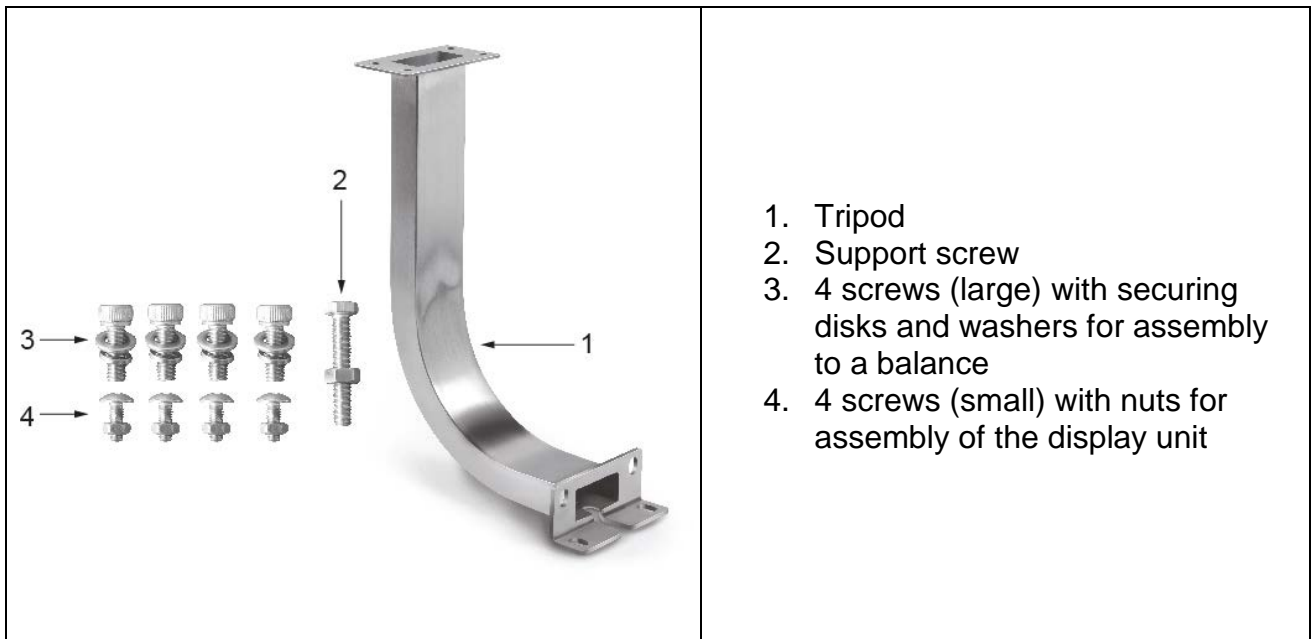
Contents

1	Technical data	2
2	Scope of delivery	3
3	Assembly	3
3.1	Assemble the tripod to the balance	3
3.2	Assemble the display unit to the tripod.....	4

1 Technical data

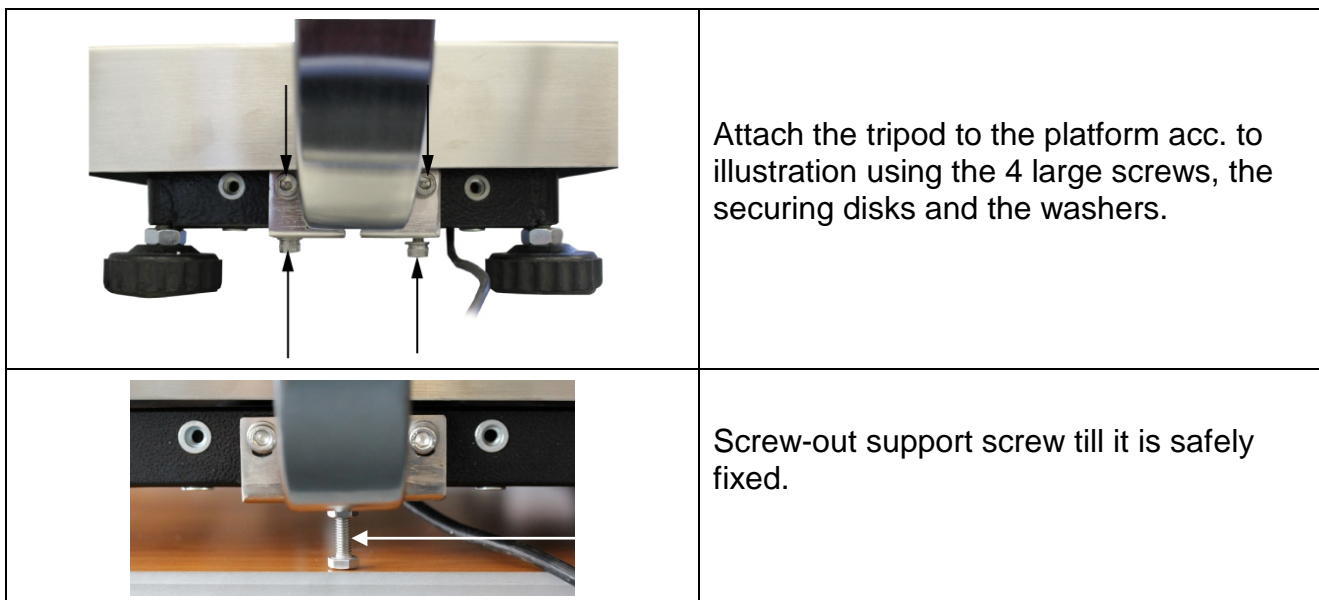
KERN	SFE-A01	SFE-A02	SFE-A03
Tripod height	20 cm	40 cm	60 cm
Net weight	800 g	1600 g	2400 g
For SFE models with weighing plate (mm)	all sizes	400 x 300 x 118 500 x 400 x 137 650 x 500 x 142	500 x 400 x 137 650 x 500 x 142

2 Scope of delivery

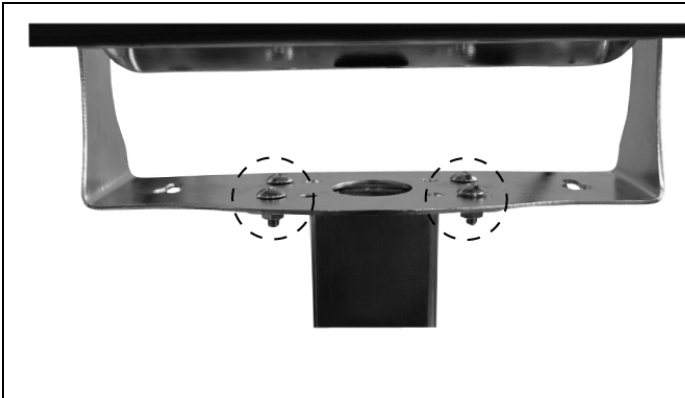


3 Assembly

3.1 Assemble the tripod to the balance



3.2 Assemble the display unit to the tripod



Screw tight the display unit to the tripod using the 4 small screws and the nuts according to the illustration.

Fix the cable using cable ties in a way that it does not disturb the weighing process.