

CONNECTION HEAD

SCH11 Series

- Aluminium Alloy Construction
- 33mm Mounting Holes For Transmitter / Connection Block
- Sealed to IP68
- M20x 1.5 Cable Entry
- M24 x 1.5 Sensor Entry

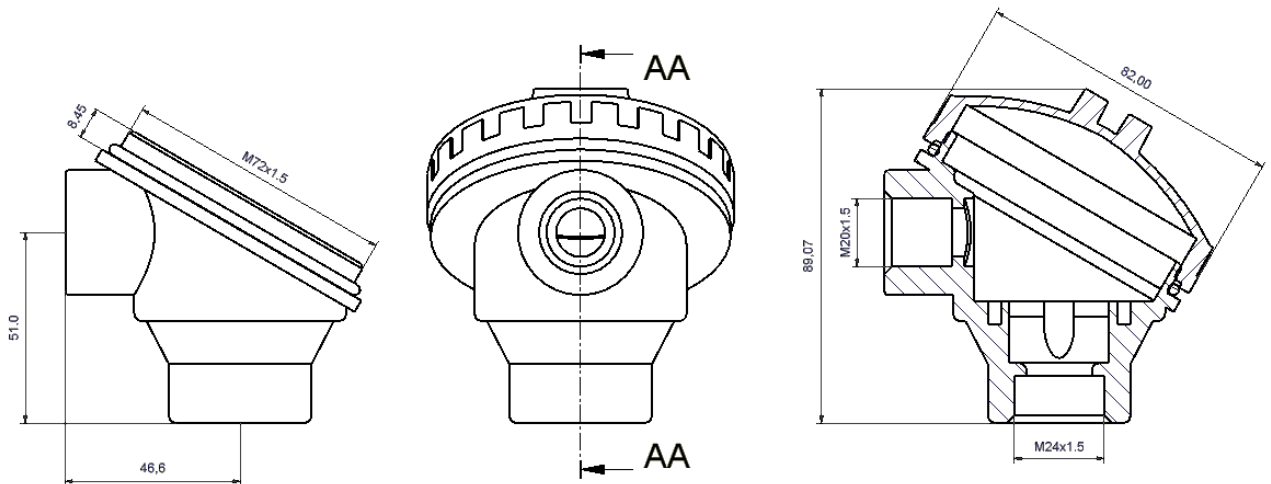


INTRODUCTION

The SCH11 head is one of the most popular heads we offer. Incorporating strength with a lightweight aluminium construction complete with retaining chain. It will house our SEM200, 300 and TTR transmitter range as well as connection blocks with a 33mm mounting. Suitable for use with our range of temperature sensors, we will assemble all the component parts ready for installation into your application.

MECHANICAL

(All Measurements in mm)



Material Aluminium Alloy
Protection IP68
Mounting Sensor only

Order Code

31-641-1987-01 - Version for SEM110 temperature transmitter
31-641-1987-02 - Version for SEM200, 300 and TTR series.