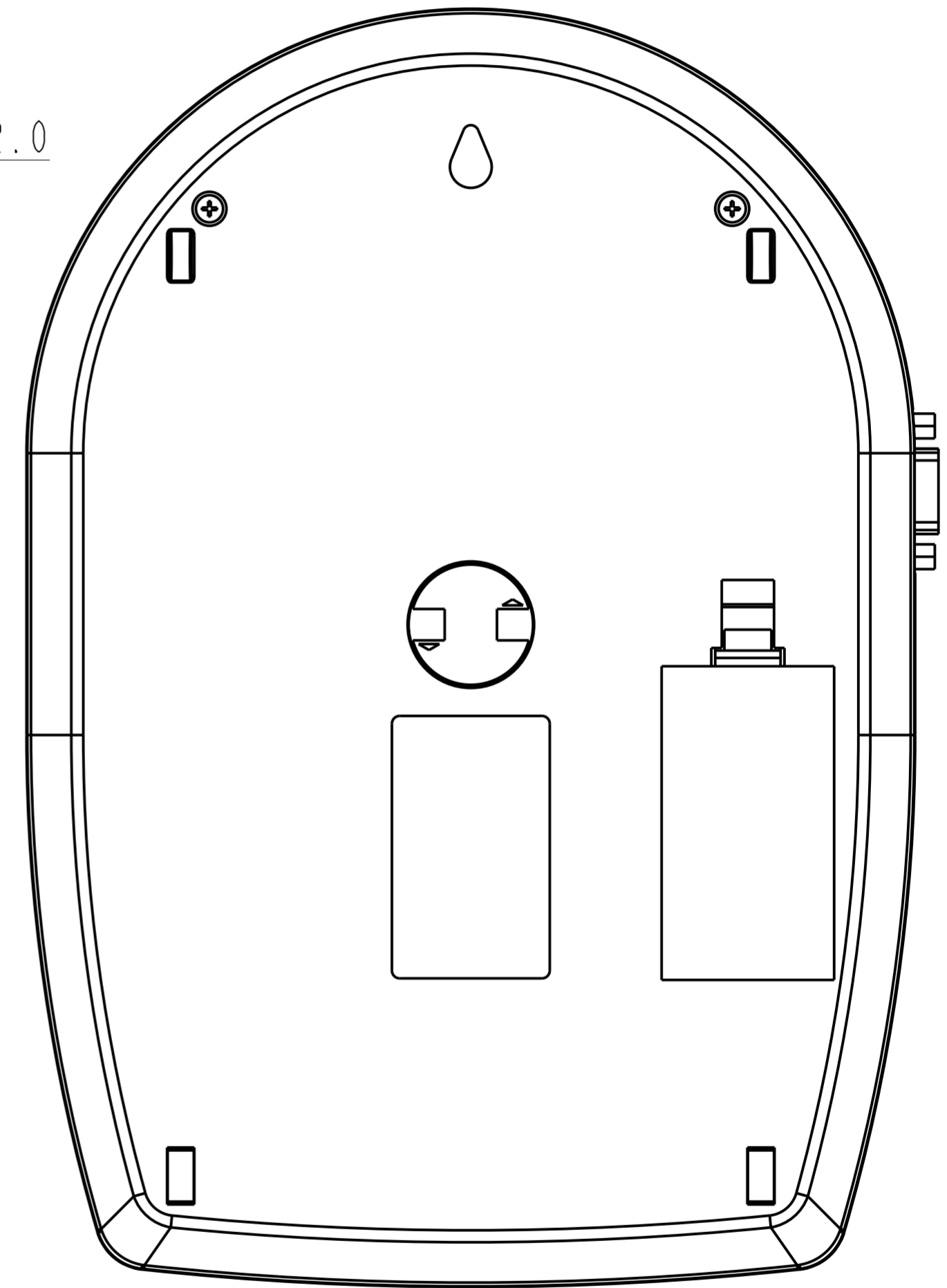
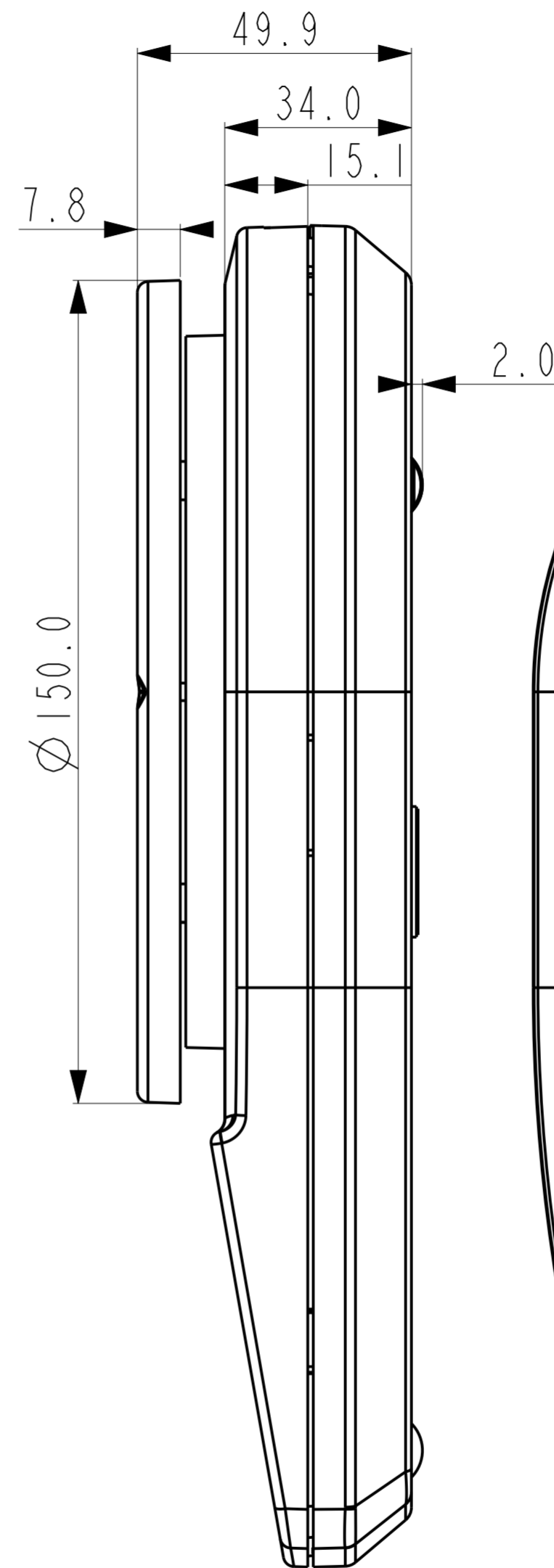
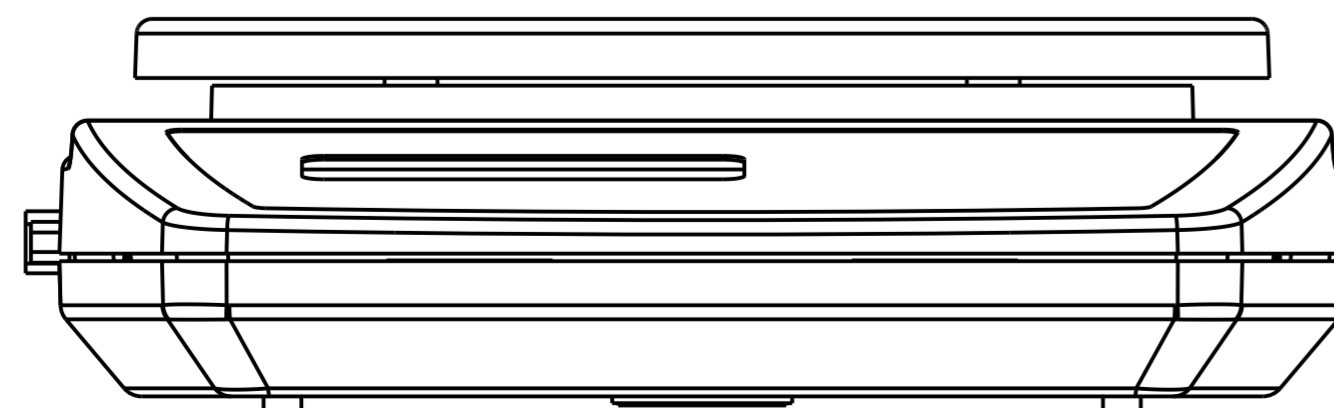
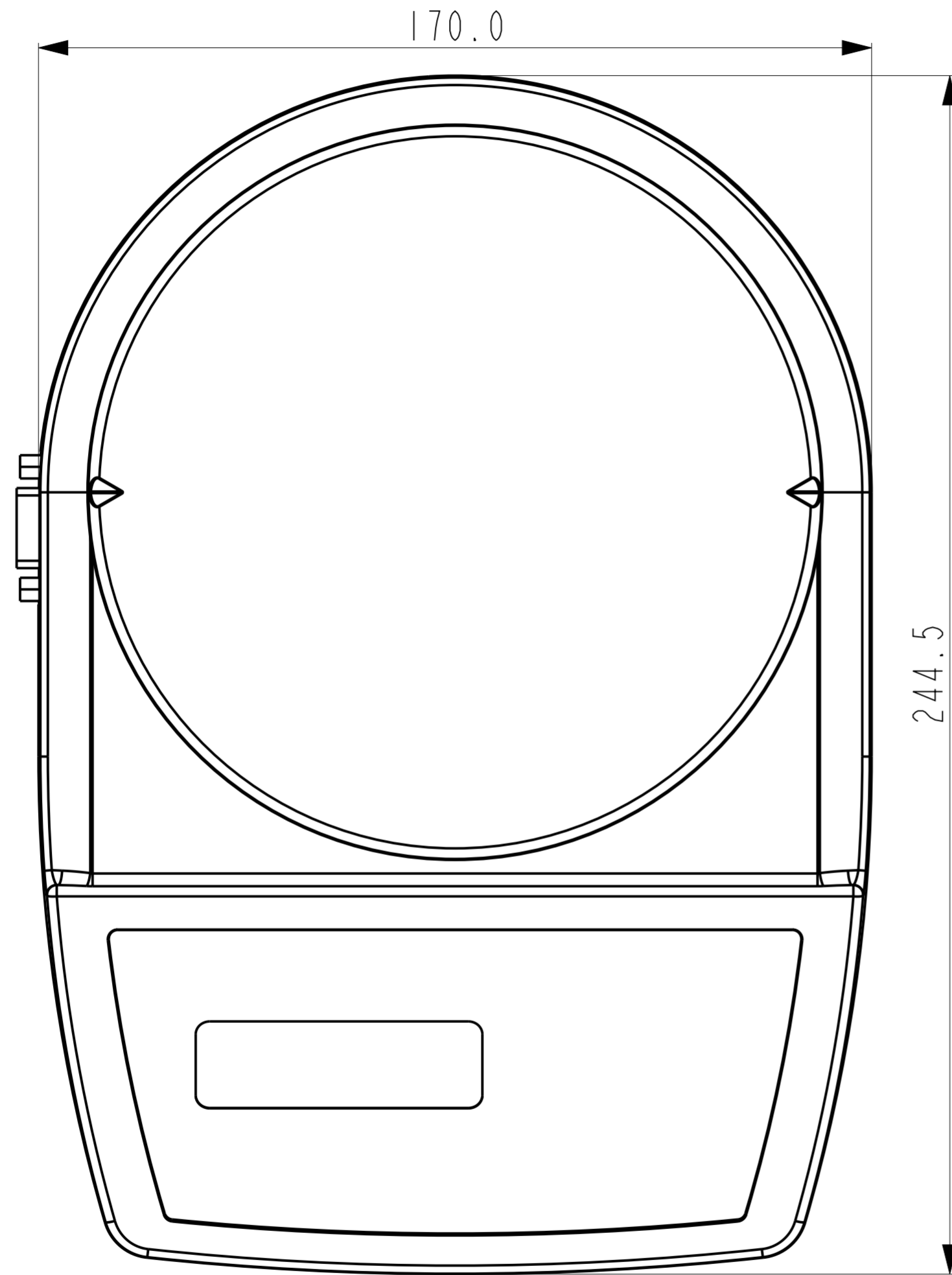
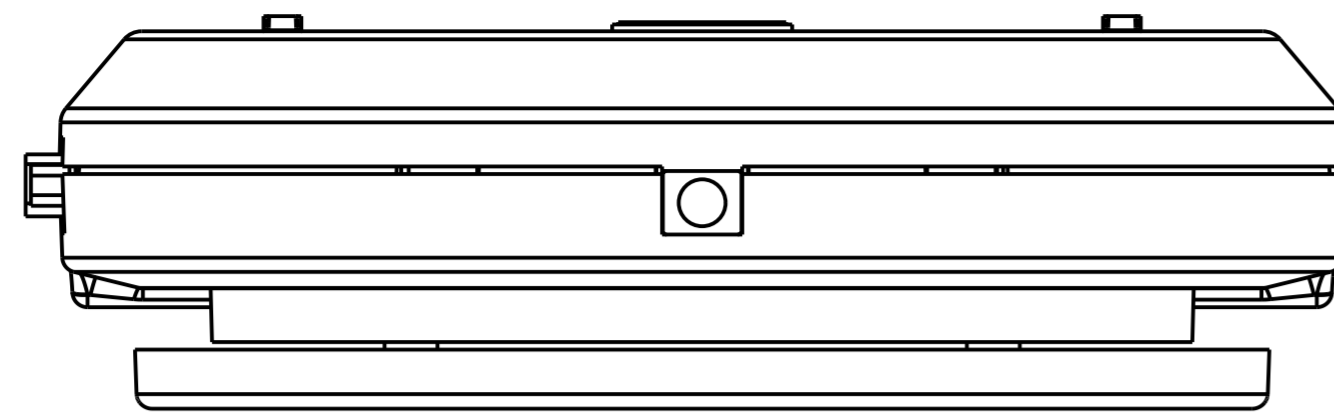


REVISIONS				
ZONE	REV.	DESCRIPTION	DATE	APPROVED
	00	N/A	Nov22,21	



TOLERANCE UNLESS OTHERWISE SPECIFIED DEC ANGLES ±0.1 FOR 0.X ±0.5 ±0.05 FOR 0.XX		KERN® KERN & Sohn GmbH			
3RD ANGLE PROJECTION		TITLE: 914-51/56/58 Dimensions Drawing			
DRAWN ZhaoZiBing	Nov22,21	MODEL NO.	1.14.091451(56/58)0	PART NO.	NONE
CHECKED		MATERIAL	NONE	FINISH	NONE
APPROVED		SCALE	1:1	DO NOT SCALE DRAWING	SHEET 1 OF 1
UNIT	mm				