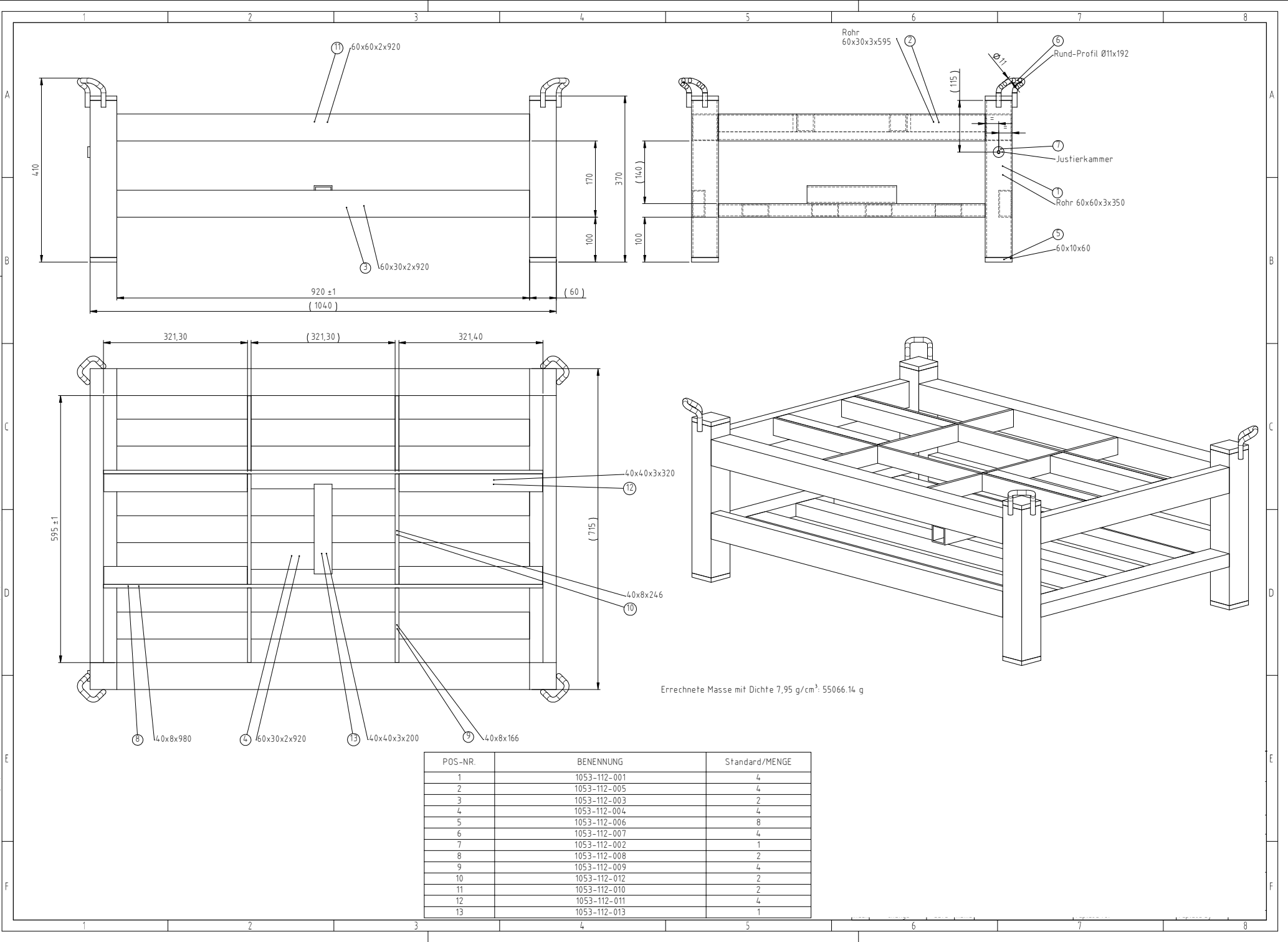


This drawing may not be copied, reproduced, or made available to third parties in any way whatsoever without our prior written approval.



Errechnete Masse mit Dichte 7,95 g/cm³: 55066.14 g

POS-NR.	BENENNUNG	Standard/MENGE
1	1053-112-001	4
2	1053-112-005	4
3	1053-112-003	2
4	1053-112-004	4
5	1053-112-006	8
6	1053-112-007	4
7	1053-112-002	1
8	1053-112-008	2
9	1053-112-009	4
10	1053-112-012	2
11	1053-112-010	2
12	1053-112-011	4
13	1053-112-013	1