



## SRT-L70

- temperature meter mounted on DIN rail 35 mm
- input: Pt100, Pt500, Pt1000
- 3 relay outputs, load capacity 8A
- RS-485 / Modbus RTU
- power supply output: 24V DC
- automatic recognition of 2, 3 and 4-conductor connection
- signal peak value detection
- free configuration software S-Config

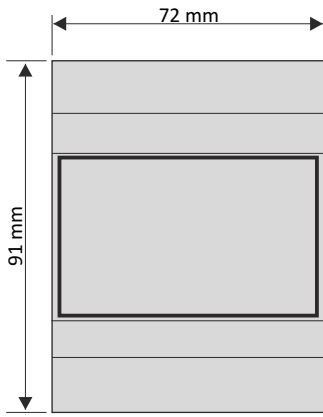
The **SRT-L70** temperature meter has a Pt100/Pt500/Pt1000 input. Measuring range contains temperatures:  $-100^{\circ}\text{C} \div +600^{\circ}\text{C}$  with resolution  $0,1^{\circ}\text{C}$ . The nonlinear sensor characteristic is fully linearized. The additional advantage of this device is automatic recognition of 2, 3 and 4-conductor connection. There is a possibility of access to inner registers via RS-485 interface. The regulator features 3 relay outputs (2 NO and 1 NO-NC). Thanks to modern SMPS included in **SRT-L70**, it can be powered from wide range of supply voltages. The meter can be configured with the local keyboard or free S-Config software via the RS-485 communication port.

### TECHNICAL DATA

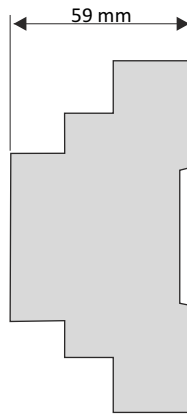
Power supply	19V $\div$ 50V DC; 16V $\div$ 35V AC or 85 $\div$ 260V AC/DC, all separated
Power consumption	for 85 $\div$ 260V AC/DC and 16V $\div$ 35V AC power supply: max. 6,5 VA; for 19V $\div$ 50V DC power supply: max. 6,5 W
Display	LED, red, 4 x 13 mm high, brightness adjustable in 8 steps
Measuring range	$-100^{\circ}\text{C} \div +600^{\circ}\text{C}$
Input	thermoresistance Pt100, Pt500, Pt1000 (automatic recognition of 2, 3 and 4-conductor connection, resistance compensation of connecting conductors from 0 to 20 $\Omega$ at any conductor)
Resolution	0,1 $^{\circ}\text{C}$
Accuracy	0,1% @25 $^{\circ}\text{C} \pm$ one digit
Stability	50 ppm/ $^{\circ}\text{C}$
Outputs	3 x REL 8A/250V AC (2 NO, 1 NO-NC)
Power supply output	24V DC +5%, -10% / max. 100 mA, stabilized
Communication interface	RS-485, 8N1 and 8N2, 1200 bit/s $\div$ 115200 bit/s, Modbus RTU (not galvanically isolated)
Operating temp.	0 $^{\circ}\text{C} \div +50^{\circ}\text{C}$ (standard), -20 $^{\circ}\text{C} \div +50^{\circ}\text{C}$ (option)
Storage temp.	-10 $^{\circ}\text{C} \div +70^{\circ}\text{C}$ (standard), -20 $^{\circ}\text{C} \div +70^{\circ}\text{C}$ (depending on option)
Protection class	IP 20
Case	DIN rail mounted (35 mm rail); material: NORYL UL 94 V-0
Dimensions (WxHxD)	72 x 91 x 59 mm
Weight	213 g max.



**DIMENSIONS**

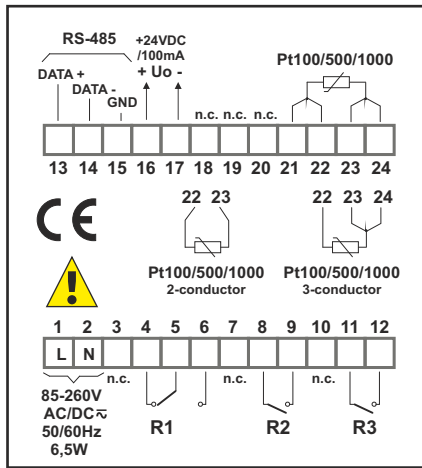


Case dimensions



Side view

**EXAMPLARY PIN ASSIGNMENTS**



**ORDERING**

SRT-L70-1331-1-X-XX1

**options:**

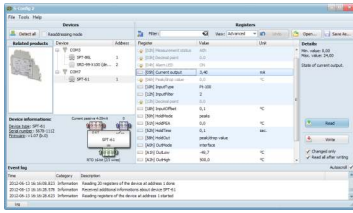
- 00 : no options
- 08 : operating temp. -20°C ÷ +50°C

**power supply:**

- 3 : 24V AC/DC
- 4 : 85V - 260V AC/DC

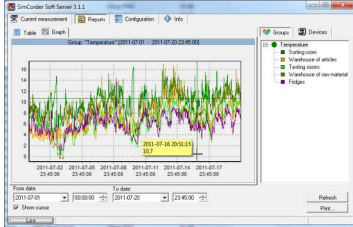


## SOFTWARE



**S-Config 2** is used for the simultaneous detection of devices in multiple Modbus RTU networks and allows user to change the configuration of most of them. For each detected device a list of its registers, which the user can modify, is displayed and also additional informations about device parameters (type, address in the network, etc.).

**S-Config** software can be downloaded from SIMEX website at [www.simex.pl](http://www.simex.pl)



**SimCorder Soft** is a visualisation application created to facilitate work with advanced networks of the SIMEX devices, for acquisition, visualisation, reporting, archiving, exporting and printing of measurement data from all network devices. You can download measurements from the devices automatically or on demand. There is a possibility of immediate notification about emergency states via SMS or e-mail, which will often allow to quickly resolve an arising problem while avoiding long and expensive stoppages. You can view the measurement data, emergency states and configuration via the internet at every time.

## CONVERTERS



The **SRS-U4** module is designed to connect a USB host to slave devices equipped with RS-485 interface. The PC with special software can be used as a host. The **SRS-U4** unit guarantees full galvanic isolation between USB and RS-485 circuits. The converter can work with any devices equipped with RS-485 interface and contains integrated circuit which supports USB 1.1 and USB 2.0 standards. The main purpose is connection of PC host computer with industrial data acquisition and visualisation systems based on RS-485 interface.

The **SRS-U4** can be also manufactured with DIN mounting adaptor.

