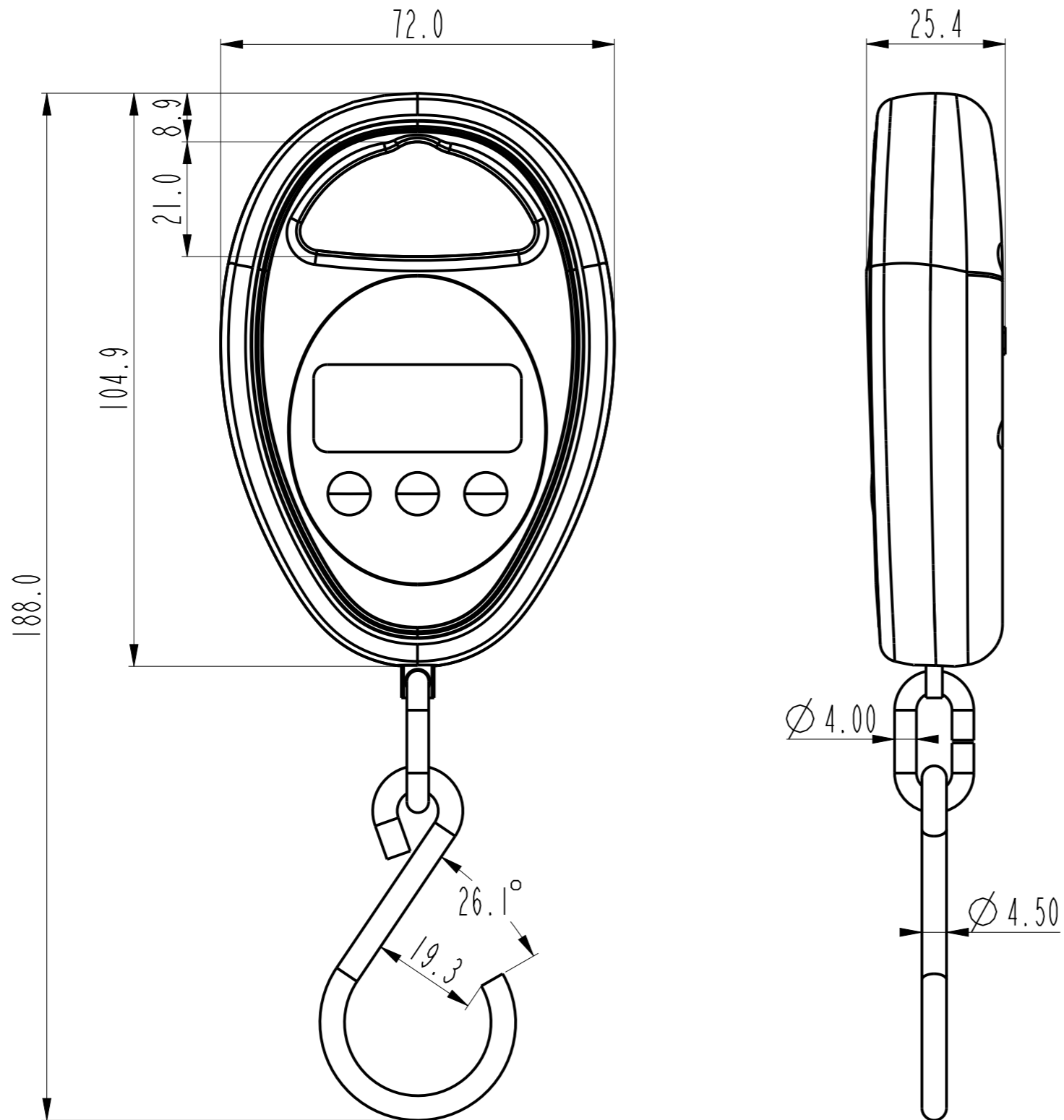


A3



| REVISIONS |      |             |            |          |
|-----------|------|-------------|------------|----------|
| ZONE      | REV. | DESCRIPTION | DATE       | APPROVED |
|           | 00   | N/A         | Mar 10, 22 |          |
|           |      |             |            |          |

|   |    |                                     |              |                      |              |
|---|----|-------------------------------------|--------------|----------------------|--------------|
| TOLERANCE UNLESS OTHERWISE SPECIFIED<br>DEC ANGLES<br>±0.1 FOR .X ±0.5<br>±0.05 FOR .XX |    | <b>KERN® KERN &amp; Sohn GmbH</b>   |              |                      |              |
| 3RD ANGLE PROJECTION<br>DRAWN <b>ZhaoZiBing</b> Mar 10, 22                              |    | TITLE: HDB 10K10N Dimension Drawing |              |                      |              |
| CHECKED   |    | MODEL NO.                           | 1.14.0944110 | PART NO.             | NONE         |
| APPROVED  |    | MATERIAL                            | NONE         | FINISH               | NONE         |
| UNIT  | mm | SCALE                               | 1:1          | DO NOT SCALE DRAWING | SHEET 1 OF 1 |