



MB27

Moisture Analyzer



Outstanding Performance, Flexible Configuration and Reliable Results

The new OHAUS MB27 Basic Moisture Analyzer combines high quality and durable construction into a sleek, compact design. The MB27 offers dependable, accurate results for a wide variety of moisture analysis applications.

Standard Features Include:

- With 0.01% 0.001g accuracy, the MB27 Moisture Analyzer is suitable for most applications.
- Halogen heating and dual weight-temperature calibration provide fast, reliable results.
- User-friendly touch-button design for easy operation.

MB27 Moisture Analyzer

Model	MB27
Capacity	90 g
Repeatability (Std Dev) (g)	0.2% (3 g sample) 0.05% (10 g sample)
Readability	0.01%/0.001 g
Sample size	typical: 3g - 20g minimum: 0,5g
Interface	Bidirectional RS232
Timer	1-99 minutes, 30-second increments to 60 minutes
Heating Technology	Halogen
Temperature Range	50 °C to 160 °C in 5 °C increments
Power	100 to 240 VAC, 50/60 Hz
Tare Range	To capacity by subtraction
Operating Temperature Range	5 °C to 40 °C
Display Type	Backlit LCD
Displays	%moisture or %solids or weight (g), temperature, time
Pan Size (Diameter)	90 mm
Dimensions (W × H × D)	17 × 14 × 28 cm
Net Weight	2.3 kg
Shipping Weight	3.9 kg

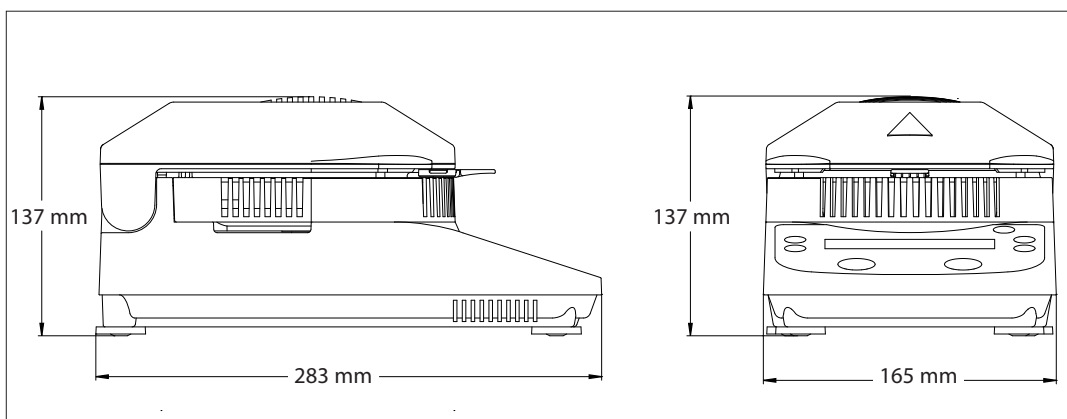
Compliance

- **Product Safety:** IEC/EN 61010-1, IEC/EN 61010-2-010
- **Electromagnetic Compatibility:** IEC/EN 61326-1 Class B, Basic environments

Accessories

Temperature Calibration Kit, MB Series	11113857
Anti-Theft Device	80850043
Aluminum Sample Pans, 80 Pcs	80850086
Pads, Glass Fiber, Qty 200 Pcs	80850087
In-Use-Cover	80252475
Pan Holder, MB Series	80252476
Sample Cage, MB Series	80252477
Reusable Sample Pans, 3 Pcs, 7mm, MB Series	80252478
Reusable Sample Pans, 3 Pcs, 14mm, MB Series	80252479
Impact Printer SF40A	30064202
Thermal Printer, STP-103, EU	80251993

Outline Dimensions



OHAUS Europe GmbH
Heuwinkelstrasse
8606 Naenikon
Switzerland

e-mail: ssc@ohaus.com
Tel: 0041 22 567 53 19
e-mail: tsc@ohaus.com
Tel: 0041 22 567 53 20

www.ohaus.com

OHAUS Corporation is an ISO
9001:2008 manufacturer

ISO 9001:2008
Registered Quality
Management System

CH16B065

