



VALOR™1000

Compact Bench Scales



Dual display
for T models

Reliable Food-Safe Scale for Dry Environments

With a food-safe design that is NSF-certified and supports a HACCP system, the Valor 1000 Series is a reliable choice for general food weighing. Easy-to-operate Valor 1000 scales feature two-button operation, a large backlit LCD display and up to 1,500-hour battery life.

Unique Features:

- NSF certified, USDA-AMS accepted design supports HACCP systems, making Valor 1000 perfect for food preparation tasks. Stainless steel pans and plastic in-use covers available for extra protection.
- Save money on batteries. Energy-efficient design operates for up to 1,500 hours.
- Intuitive two-button operation allows for quick weight checking to simplify repetitive operations and increase operator efficiency.

VALOR®1000 - V12P Compact Bench Scales

Model	V12P3	V12P6	V12P15	V12P30	V12P3T	V12P6T	V12P15T	V12P30T
Item number	30539394	30539395	30539396	30539397	30554414	30554415	30554416	30554417
Capacity x Readability (Max x d non-approved)	3 kg x 0.0005 kg 3,000 g x 0.5 g	6 kg x 0.001 kg 6,000 g x 1 g	15 kg x 0.002 kg 15,000 g x 2 g	30 kg x 0.005 kg 30,000 g x 5 g	3 kg x 0.0002 kg 3000 g x 0.2 g	6 kg x 0.0005 kg 6000 g x 0.5 g	15 kg x 0.001 kg 15000 g x 1 g	30 kg x 0.002 kg 30000 g x 2 g
Maximum Displayed Resolution	1:6,000	1:6,000	1:7,500	1:6,000	1:15,000	1:12,000	1:15,000	1:15,000
Model	-	-	-	-	V12P3T-M	V12P6T-M	V12P15T-M	V12P30T-M
Item number	-	-	-	-	30554438	30554439	30554440	30554441
Capacity X Readability (Max x e approved)	-	-	-	-	3 kg x 0.001kg 3000 g x 1 g	6 kg x 0.002 kg 6000 g x 2 g	15 kg x 0.005 kg 15000 g x 5 g	30 kg x 0.01 kg 30000 g x 10 g
Certified Resolution	-	-	-	-	1:3,000	1:3,000	1:3,000	1:3,000
Weighing Units	g, kg, lb, oz, lb:oz				g, kg			
Application Mode	Weighing							
Tare Range	To capacity by subtraction							
Stabilization Time	≤2 seconds							
Power requirements	Four Type D Alkaline batteries (included), AC adapter or rechargeable battery kit (optional)							
Calibration	Digital with external weight							
Battery Life	1,500 hours (with backlight turned off)				750 hours (with backlight turned off)			
Construction	ABS plastic housing and stainless steel pan							
Safe Overload Capacity	150% of capacity							
Communication	-				Optional RS232			
Specified Temperature Range	0 to 40 °C							
Display	Single display - LCD with white backlight				Dual display - LCD with white backlight			
Display Size	25.4mm							
Pan Size	245 x 190 mm							
Scale Dimensions (W x D x H)	260 x 270 x 122 mm							
Shipping Dimensions (W x D x H)	319 x 319 x 175 mm							
Net Weight	2.5 kg							
Shipping Weight	3.1 kg							

Other Standard Features and Equipment

Digital with external weight, Integrated level bubble and adjustable feet, selectable Auto-Off, selectable weighing units and integrated carrying handles for easy transportation

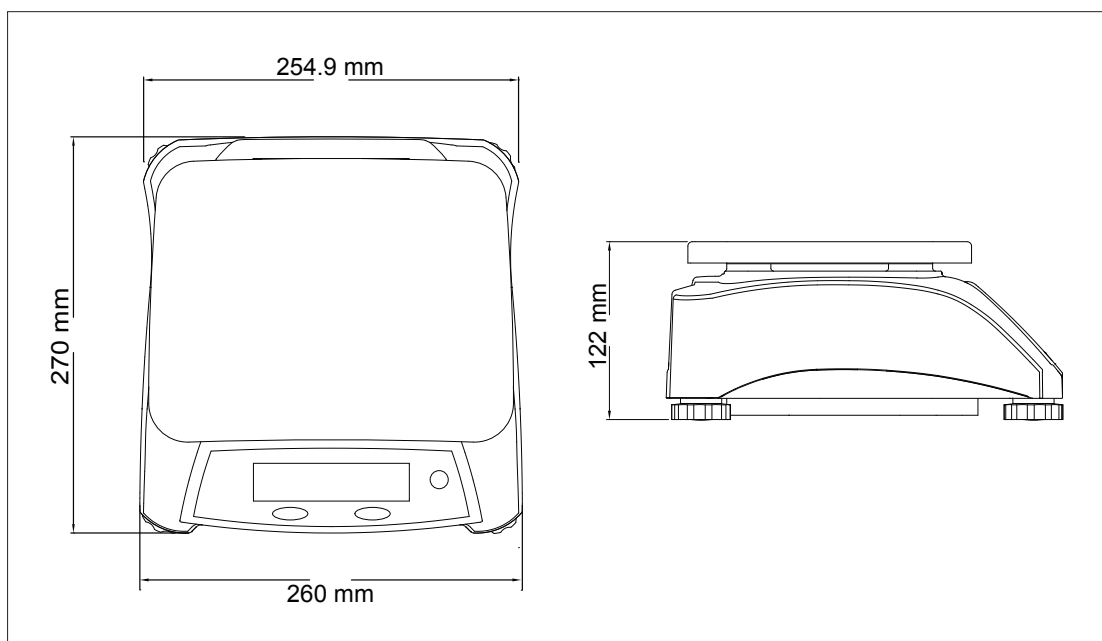
Compliance

- **Product Safety:** IEC/EN 61010-1; UL certified power supply
- **Electromagnetic Compatibility:** EN/IEC 61326-1 Class B, Basic environments
- **Food Equipment:** ANSI/NSF 169
- **Compliance Marks:** CE; NSF; WEEE

Accessories

Rechargeable Battery Kit	30559104	Adapter, 10W, 12DVC, Main Body	46001812
In-use Cover (1)	30559105	EU-UK Plug	46001779
In-use Cover (10)	30559106	Stainless Steel Platform, 300 x 225 mm	30559107

Outline Dimensions



OHAUS Europe GmbH
Heuwinkelstrasse 3,
8606 Nänikon,
Switzerland

e-mail: ssc@ohaus.com
Tel: 0041 22 567 53 19
e-mail: tsc@ohaus.com
Tel: 0041 22 567 53 20

www.ohaus.com

The management system governing the manufacture of this product is ISO 9001:2015 certified.

CH16G014

