

CONNECTION HEAD

SCH50 SERIES

- Ex d Atex & IECEx APPROVED
- BASE / ONE OR TWO SIDE ENTRIES
- SEALED TO IP68
- ALUMINIUM / STAINLESS STEEL CONSTRUCTION
- WINDOW OPTION
- EPOXY PAINTED FINISH

INTRODUCTION

The SCH50 series is manufactured from cast aluminium finished in a blue epoxy paint, or stainless steel and is certified as an Ex d flameproof connection head. It has been designed to house our SEM200, 300 and TTR series temperature transmitters as well as ceramic connection blocks. There is a display window option which allows the process value to be displayed when used with our DM700HM/XI loop powered indicator. All versions come with a flame proof collar and we can supply temperature probes specially designed to suit Ex d applications. Sealed to IP68, the SCH50 can be specified with base or side entries. The SCH50 Series can be either IECEx or Atex approved, this to be specified along with side entry size at the time of ordering.

IECEx / ATEX MARKINGS

The SCH50 head markings are shown below and must be specified at the time of ordering

Sira 10ATEX1350
Ex d IIC T6 Gb T_{amb} +55°C
Ex t IIIC T85°C Db IP68 T_{amb} +55°C

or

Sira 10ATEX1350
Ex d IIC T5 Gb Tamb +70°C
Ex t IIIC T100°C Db IP68 Tamb +70°C

or

Sira 10ATEX1350
Ex d IIC T4 Gb Tamb +105°C
Ex t IIIC T135°C Db IP68 Tamb +105°C

or

Sira 10ATEX1350
Ex d IIC T3 Gb Tamb +170°C
Ex t IIIC T200°C Db IP68 Tamb +170°C

IECEx SIR 10.0178
Ex d IIC T6 Gb T_{amb} +55°C
Ex t IIIC T85°C Db IP68 T_{amb} +55°C

or

IECEx SIR 10.0178
Ex d IIC T5 Gb Tamb +70°C
Ex t IIIC T100°C Db IP68 Tamb +70°C

or

IECEx SIR 10.0178
Ex d IIC T4 Gb Tamb +105°C
Ex t IIIC T135°C Db IP68 Tamb +105°C

or

IECEx SIR 10.0178
Ex d IIC T3 Gb Tamb +170°C
Ex t IIIC T200°C Db IP68 Tamb +170°C

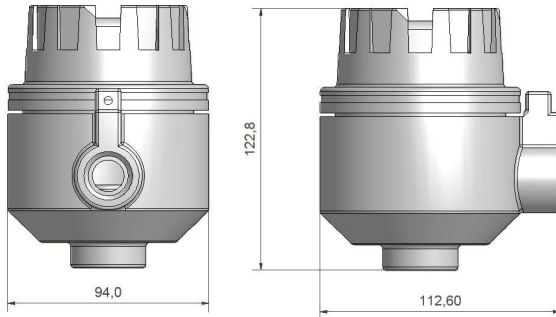


CONNECTION HEAD

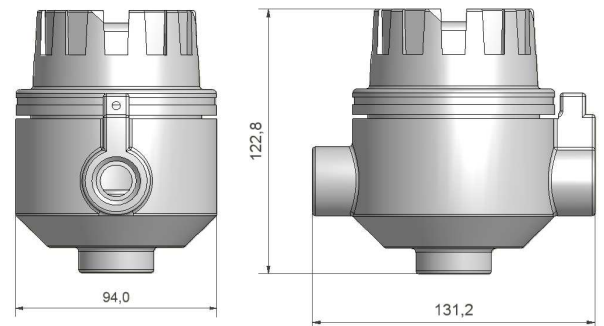
MECHANICAL

(All Measurements in mm)

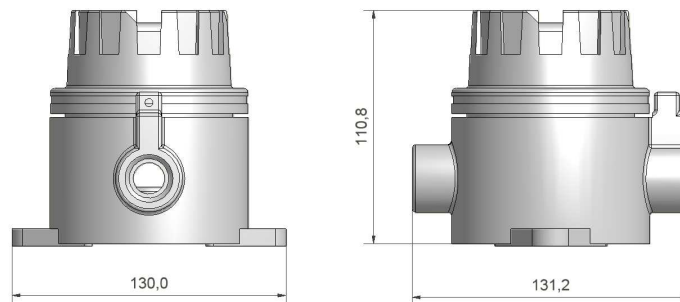
SCH50
Single Side Entry
Base Entry 1/2" BSP



SCH51
Double Sided Entry
Base Entry 1/2" BSP



SCH52
Double Sided Entry



ORDER CODE

SCH5		/	/	
BODY STYLE				
1 x Side Entry, Base Entry 1/2" BSP	0			
2 x Side Entry, Base Entry 1/2" BSP	1			
2 x Side Entry (See Notes)	2			
BODY MATERIAL				
ALUMINIUM			A	
STAINLESS STEEL (Not Available for SCH52)			S	
CAP STYLE				
LOW				L
TOP STYLE				
WINDOW				W
NO WINDOW				0

NOTES:

SIDE ENTRIES: To be specified at time of order can be either 1/2"NPT or M20 x 1.5

Example: SCH51A/L/W = Double sided entry & Base Entry with an Aluminium body complete with a low cap and window

ACCESSORIES:

Display Mounting Kit for Window Version 31-620-0011-01
2" Pipe Mounting kit for the SCH52 31-620-0008-01