

EPIC® SENSORS
Adjustable flanges

Features

- temperature range +300 °C
- adjustable height, facilitates the installation and replacement of the temperature sensor element
- polished aluminium or cast steel with black powder lacquer coating, other materials on request
- with or without counter flange
- for element sizes Ø6mm, Ø15mm, Ø22mm and Ø32mm
- fitting to process with bolts, or welding
- 3D step models available on request.

Typical applications

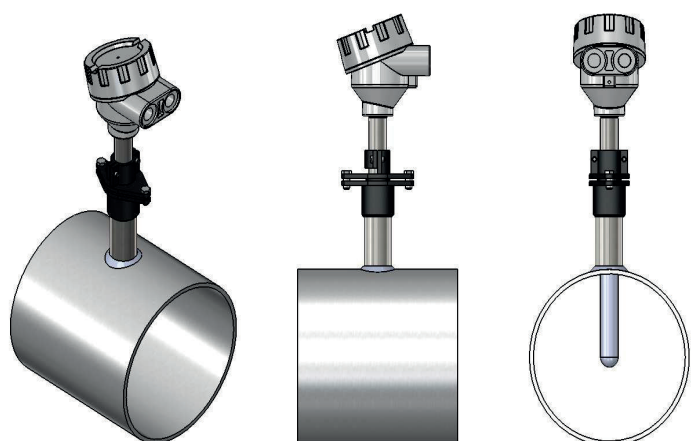
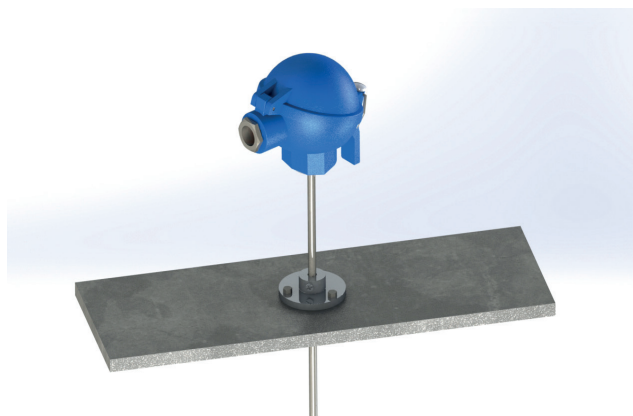
- energy and power plant technology
- process industry
- chemical industry
- machinery and vessel construction
- manufacturing industry.



Technical data

Materials	polished aluminium, maximum temperature +300 °C, temporarily +350 °C, cast steel with lacquer coating, maximum temperature +300 °C, temporarily +350 °C Other materials on request
Element size	Ø6mm, aluminium flange, bolt fitting only Ø15mm, cast steel flange, with or without counter flange Ø22mm, cast steel flange, with or without counter flange Ø32mm, cast steel flange, with or without counter flange Other sizes on request

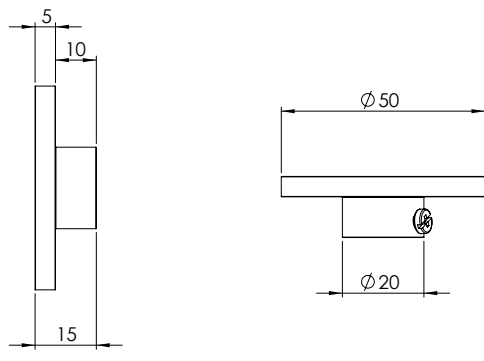
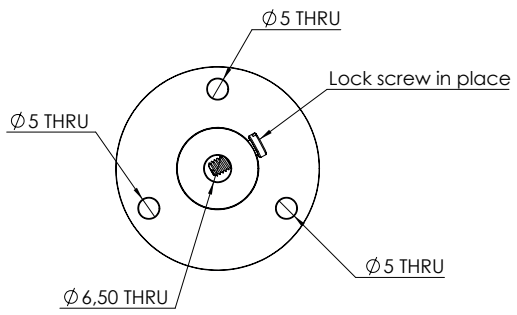
Installation examples



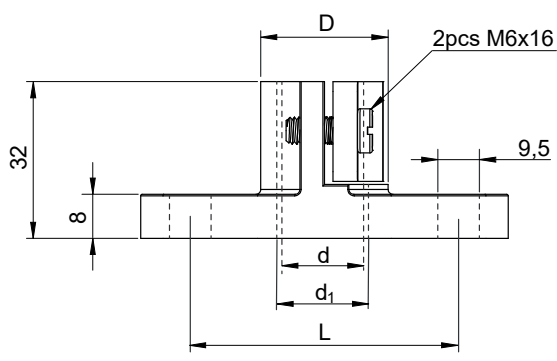
EPIC® SENSORS
Adjustable flanges

Drawing

For Ø6mm sensor element, aluminium, bolt fitting only, product code 5052098



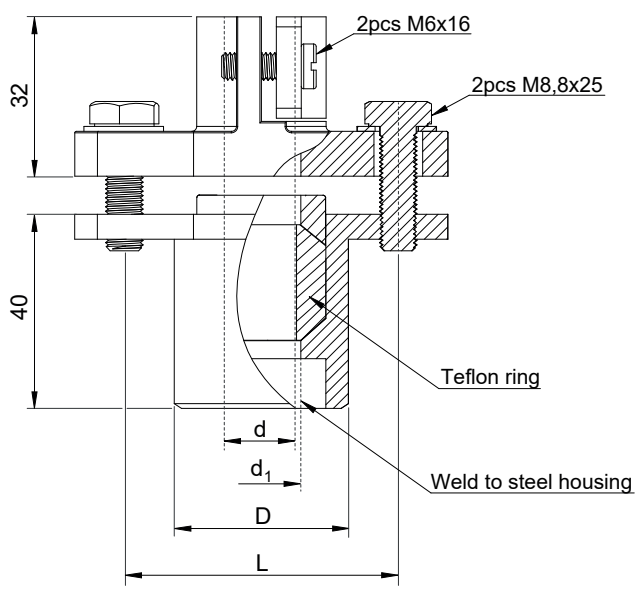
For Ø15mm, Ø22mm or Ø32mm sensor element, cast steel, bolt fitting only, no counter flange



Product Code	Ød [mm]	Ød ₁ [mm]	D [mm]	L [mm]
1018378	15	16	27	55
1018382	22	23	33	70
1018383	32	33	39	70

where
 L = bolt distance,
 Ød = diameter of sensor element,
 Ød₁ = diameter of slot,
 D = neck dimension

For Ø15mm, Ø22mm or Ø32mm sensor element, cast steel, weld fitting, with counter flange



Product Code	Ød [mm]	Ød ₁ [mm]	D [mm]	L [mm]
911984	15	16	35	55
911985	22	23	40	70
911986	32	33	50	70

where
 L = bolt distance,
 Ød = diameter of sensor element,
 Ød₁ = diameter of slot,
 D = neck dimension