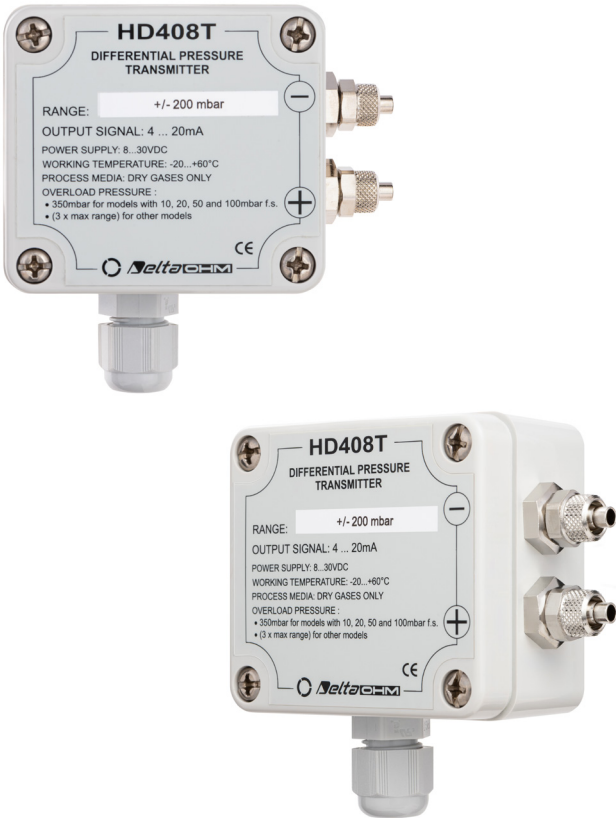


## HD408T, HD4V8T



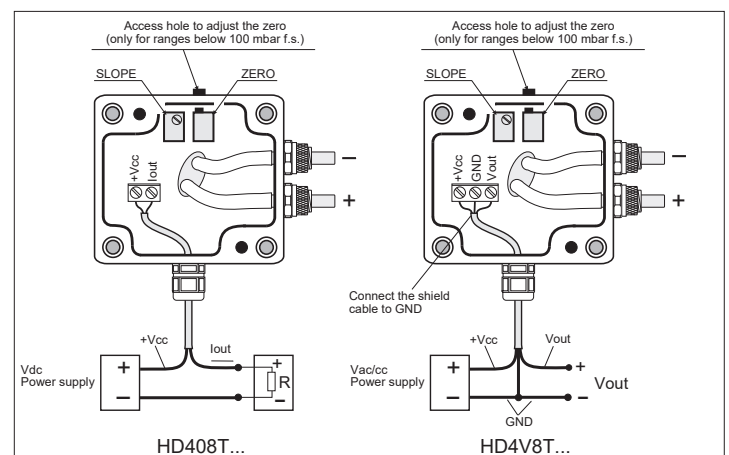
### HD408T..., HD4V8T... RELATIVE OR DIFFERENTIAL ATMOSPHERIC PRESSURE TRANSMITTERS

HD408T, HD4V8T are analog output relative or differential atmospheric pressure transmitters; they are used in all those applications where non corrosive air or gas need to be monitored, with pressure fields from 10 mbar to 2000 mbar. The piezoresistive sensor gives extremely precise and stable measurements of the applied differential pressure, with excellent repeatability, low hysteresis, and very good temperature stability.

The output signal of the sensor is conditioned to provide either a current output (model HD408T) or a voltage output (model HD4V8T) linearly proportional to the applied differential pressure.

The transmitters are ready to use as they have been calibrated at the factory. They are used to monitor clean room barometric pressure, to control filters, to measure flows (employment with the Pitot tube), for packing and packaging machines, and to control ventilation.

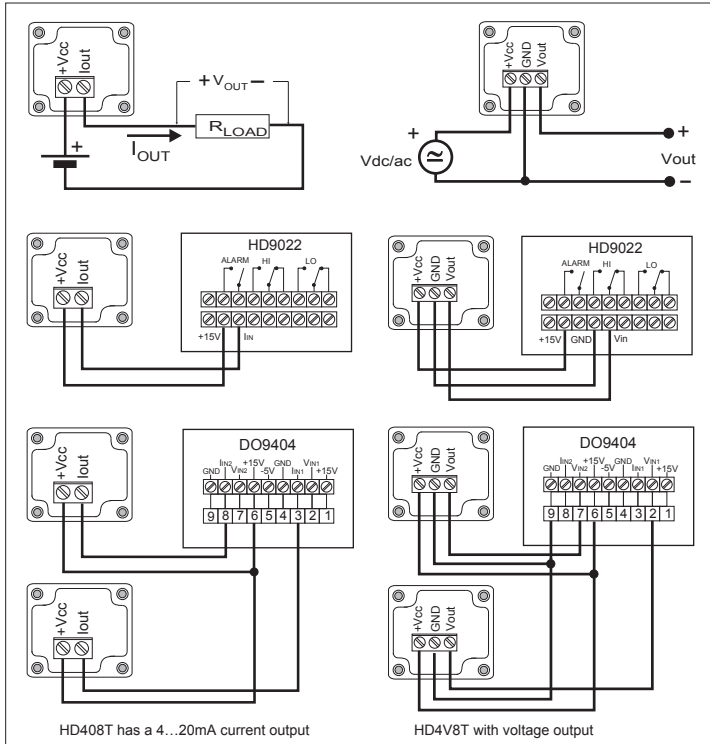
Technical specifications @ 20°C and 24Vdc		
	HD408T	HD4V8T
Sensor	Piezoresistive	
Measurement range	10, 20, 50, 200, 500, 1000, 2000 mbar ±10, ±20, ±50, ±200, ±500, ±1000, ±2000 mbar	
Output signal	4...20 mA	0...10 Vdc standard; 0...5 Vdc, 1...5 Vdc on request
Accuracy	±0.5 % f.s. @ 20 °C	
Resolution	Infinite	
Temperature effects	< 1% f.s., zero; <1% f.s., span from -20 °C to +60 °C (from -4 °F to 140 °F)	
Time stability	< 1 % f.s. over 6 months at 20 °C	
Startup time	1 sec. at 99% of full scale reading	
Response time	< 10 ms until it reaches the stated precision by applying a step pressure level	
Power supply	8...30 Vdc	16...40 Vdc or 24 Vac with output 0...10 Vdc 10...40 Vdc or 24 Vac with outputs 0...5 Vdc, 1...5 Vdc
Absorption	< 4 mA	20 mA @ 20°C, 24 Vdc
Load resistance	$R_{Lmax} = 727 \Omega \text{ a } 24V_{cc}$ $R_{Lmax} = \frac{V_{dc}-8}{22 \text{ mA}}$	Minimum input resistance 10kΩ
Working temperature	-20...+60 °C	
Storage temperature	-20...+80 °C	
Compatible media	Only air and non aggressive dry gases	
Overpressure limit	350 mbar for the models 10, 20, 50 mbar 3 x f.s. for all the other models	
Pressure connection	With Ø 5 mm flexible tube	
Electric connection	Screw terminal box	
Housing	Polycarbonate blend (PC + ABS)	
Housing dimensions	66 x 60 x 35 mm	
Weight	≈120 g depending on the model	
Protection degree	IP67	



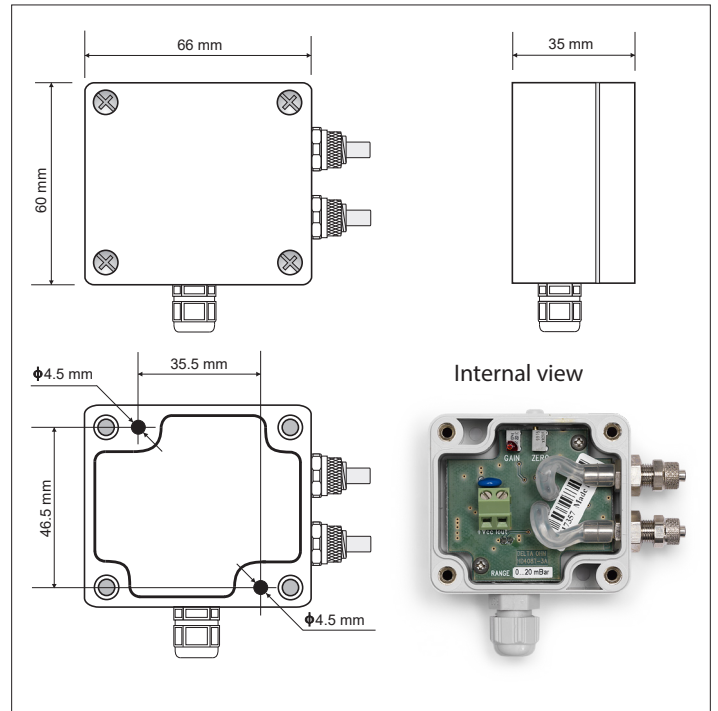
## INSTALLATION

In all models the sensor and electronic parts are housed in a robust case in polycarbonate blend (PC + ABS) with IP67 degree of protection. Opening the cover, the holes that allow to secure the transmitter's base directly to a panel or a wall, become available.

HD408T, HD4V8T can be mounted in any position, the deviation of the zero due to the mounting position is in the worst case (10 mbar range) less than 1% f.s. and can be corrected with an appropriate regulating potentiometer, that can be accessed from outside (for models with ranges below 100 mbar).



## MECHANICAL DIMENSIONS



## ORDERING CODES

HD4

8T-

### Output

Blank = 4...20 mA

1 = 0...5 Vdc

2 = 1...5 Vdc

3 = 0...10 Vdc

D = Differential pressure -f.s ... +f.s

G = Relative pressure with respect to the atmosphere 0... +f.s

### Nominal full scale (f.s.)

10MB = 10 mbar - 20MB = 20 mbar - 50MB = 50 mbar - 200MB = 200 mbar - 500MB = 500 mbar

1B = 1 bar - 2B = 2 bar

### Output Type

0 = current

V = voltage

**DeltaOHM**

Member of GHM GROUP

In order to ensure the quality of our instruments, we are constantly re-evaluating our products. Improvements can imply changes in specification; we advise you to always check our website for the newest version of our documentation.

We look forward to your enquiry:

Phone +39 049 89 77 150

Email: sales@deltaohm.com

**Delta OHM S.r.l.**

Single Member Company subject to direction and coordination of

GHM MESSTECHNIK GmbH

Via Marconi 5 | 35030 Caselle di Selvazzano (PD) | ITALY

Rev. 2.1 - 03.22