



## SPS-24/0.4

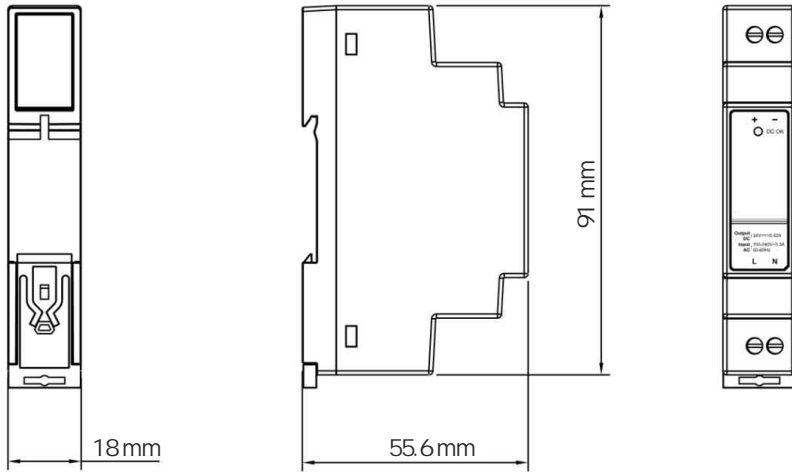
- industrial 10W power supply
- DIN rail mounting
- class II, double isolation (no Earth connection is required)
- universal AC input voltage range
- full power up to 55°C
- efficiency > 80.0% @ 115VAC & 230VAC
- can be installed in compact cabinets
- convection cooling

The SPS-24/0.4 is part of the DIN rail power supply series, which is designed for use in compact cabinets for home automations and the food and beverage industry. DIN rail power supplies offer double isolated input. This means that no Earth connection is required thus resulting in low leakage current. This product provides a universal input voltage range of 90 ÷ 264V AC, and a wide temperature range of -25°C to 71°C. The power supplies are certified to safety standard according to IEC/EN/UL 60950-1, IEC/EN/UL 62368-1 and UL 508. NEC Class 2 and Limited Power Source (LPS) approvals are available for this product.

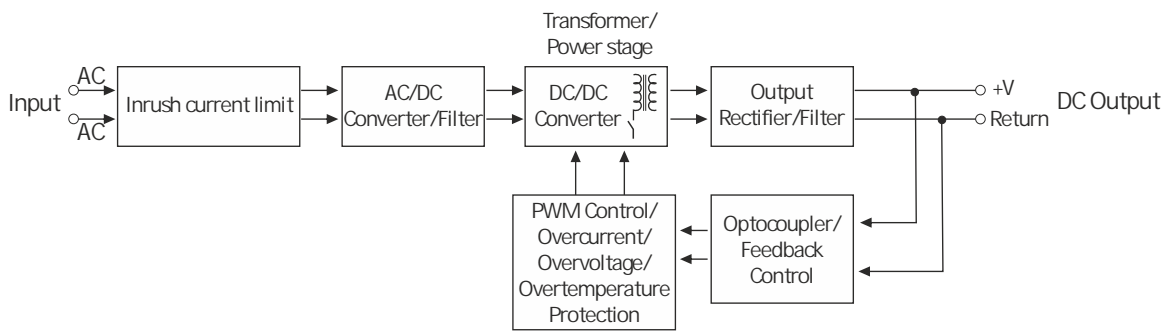
### TECHNICAL DATA

Input ratings	nominal input voltage: 100 ÷ 240V AC (90 ÷ 264V AC); 125 ÷ 375V DC nominal input frequency: 50 ÷ 60 Hz (47 ÷ 63 Hz) input current: < 0.30A @ 115V AC, < 0.20A @ 230V AC efficiency at 100% load: > 80.0% @ 115V AC & 230V AC max power dissipation: 0% load < 0.3W @ 115V AC & 230V AC; 100% load < 2.6W @ 115V AC & 230V AC max inrush current (cold start): < 15A @ 115V AC, < 30A @ 230V AC leakage current: < 0.25mA @ 240V AC
Output ratings	nominal output voltage: 24V DC factory set point tolerance: 24V DC ± 2% output current: 0 ÷ 0.42A (max. 10W) output power: 10W line regulation: < 0.5% (@ 90 ÷ 264V AC input, 100% load) load regulation: < 1.0% (@ 90 ÷ 264V AC input, 0 ÷ 100% load) rise time: < 70 ms @ nominal input (100% load) start-up time: < 2000 ms @ nominal input (100% load) hold-up time: > 10 ms @ 115V AC, > 60 ms @ 230V AC (100% load) dynamic response: ± 5% @ 90 ÷ 264V AC input, 10 ÷ 100% load
Galvanic isolation	3.0 kV AC (input to output)
Overvoltage	< 34.8V, over voltage category II
Overload	> 120% of rated load current, class II protection against shock
Noise	< 25 dBA (1 meter from power supply)
Mounting	standard TS35 DIN rail in accordance with EN 60715
Environment	operating temperature: -25°C ÷ 71°C, storage temperature: -25°C ÷ 85°C, humidity: 5 ÷ 95%, non-condensing
Degree of protection	IP 20
Case cover	plastic
Dimensions (L x W x D)	91 x 18 x 55.6 mm
Weight	65 g

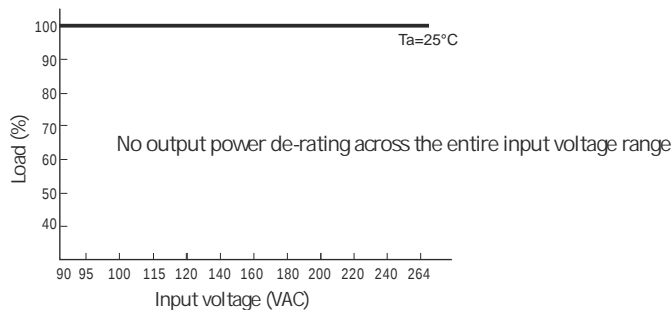
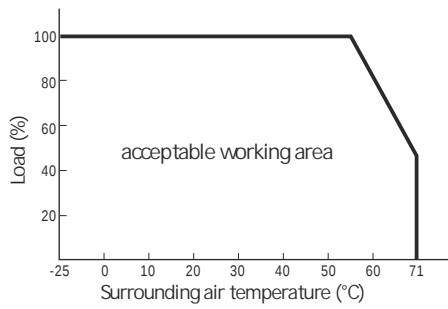
**DIMENSIONS**



**BLOCK DIAGRAM**



**OUTPUT LOAD DE-RATING VS SURROUNDING AIR TEMPERATURE**



**ORDERING**

SPS-24/O.4

