

**EPIC® SENSORS**

**Clamp Fittings**

**Features**

- AISI 316L as standard delivery material, other materials on request
- clamping fitting for process pipe attachment
- thread fitting for enclosure attachment
- available for various pipe sizes
- special coatings available
- tailored solutions according to customer specific needs
- 3D step models available on request.

**Typical Applications**

- energy and power plant technology
- process industry
- chemical industry
- machinery and vessel construction
- manufacturing industry.

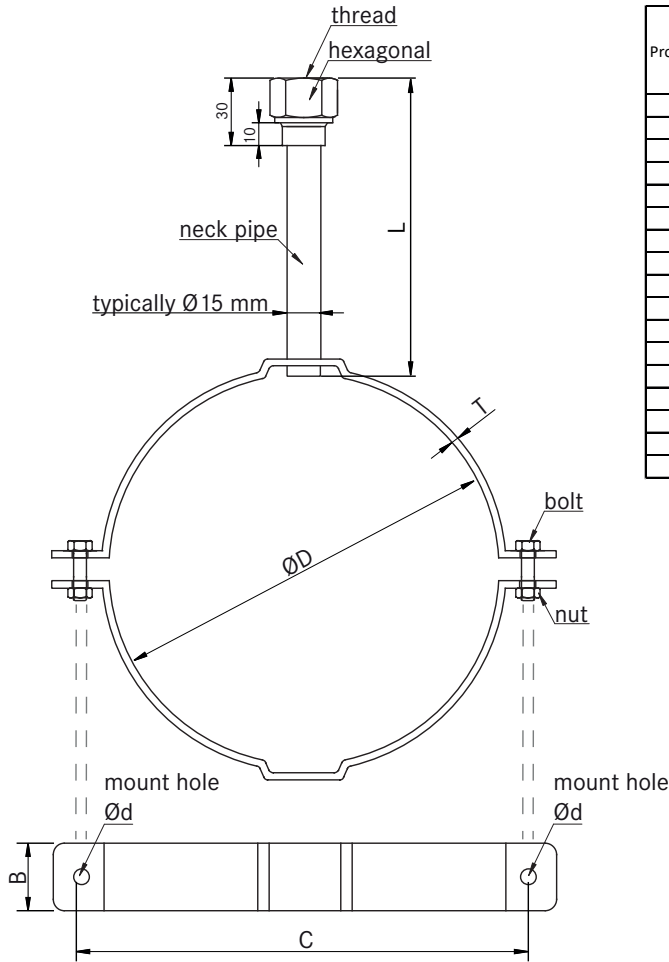


**Technical data**

<b>Material</b>	AISI 316L, maximum temperature +550 °C, temporarily +600 °C other materials on request
<b>Thread</b>	typically G 1/2", G, R, NPT, M available as standard delivery, other threads on request
<b>Quality certificate</b>	ISO 9001:2015 issued by DNV-GL

**EPIC® SENSORS**  
**Clamp Fittings**

**Drawing**



**Dimensions table**

Product Code	Clamp diameter ØD [mm]	Neck pipe length L [mm]	Clamp thickness T [mm]	Clamp width B [mm]	Bolt clearance C [mm]	Bolt hole diameter ød [mm]	Bolt size
1258443	(½ in) 21,3	80	2	25	44	7,5	M6x20
1258444	(½ in) 21,3	150	2	25	44	7,5	M6x20
1258445	(½ in) 21,3	270	2	25	44	7,5	M6x20
1258446	(½ in) 21,3	520	2	25	44	7,5	M6x20
1258447	(¾ in) 26,9	80	3	25	52	7,5	M6x20
5080611	(1 in) 33,7	80	3	25	57	7,5	M6x20
1258448	(1 in) 33,7	150	3	25	57	7,5	M6x20
5080617	(3 in) 88,9	80	3	40	120	9,5	M8x25
5080618	(4 in) 114,3	80	3	40	156	12	M10x35
5080573	(2 in) 60,3	80	3	40	91	9,5	M8x25
1258449	(2 in) 60,3	150	3	40	91	9,5	M8x25
5080621	(6 in) 168,3	80	4	40	206	12	M10x35
1258450	(6 in) 168,3	150	4	40	206	12	M10x35
5078506	(6 in) 168,3	270	4	40	206	12	M10x35
5080622	(8 in) 219,1	80	4	40	262	15	M12x35
5095157	(10 in) 273,0	80	4	50	316	15	M12x50
5132837	(12 in) 304,8	80	4	50	345	15	M12x50

**Product code key**

Example code: TPIE-PANTA - ½" - G½ / 270 - X

- TPIE-PANTA = fitting type (constant in code)
- ½" = clamp diameter in inches (ØD) [in]
- G½ = thread (G½ as standard delivery)
- 270 = neck pipe length, L [mm]
- X = additional details on the text line

