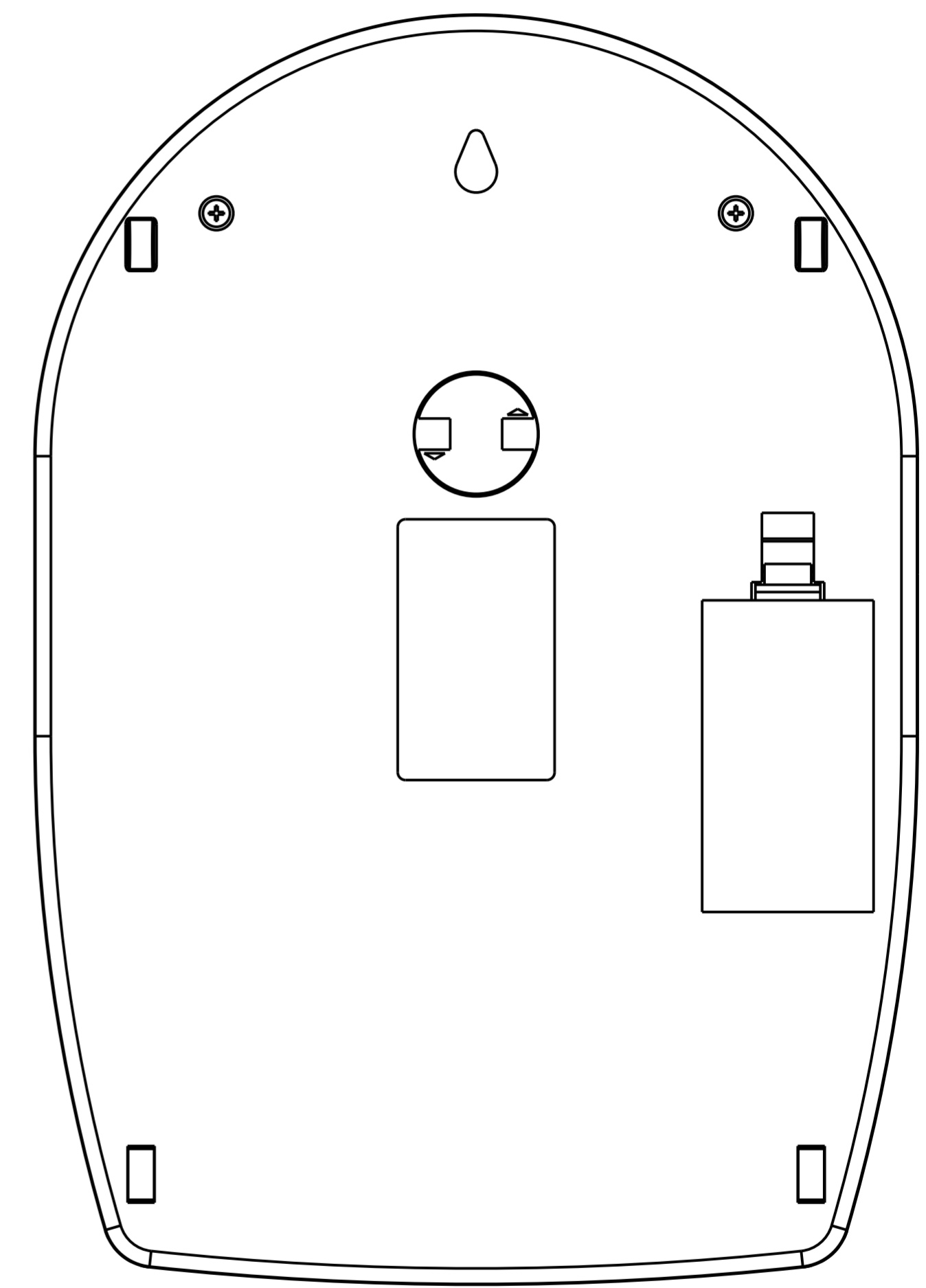
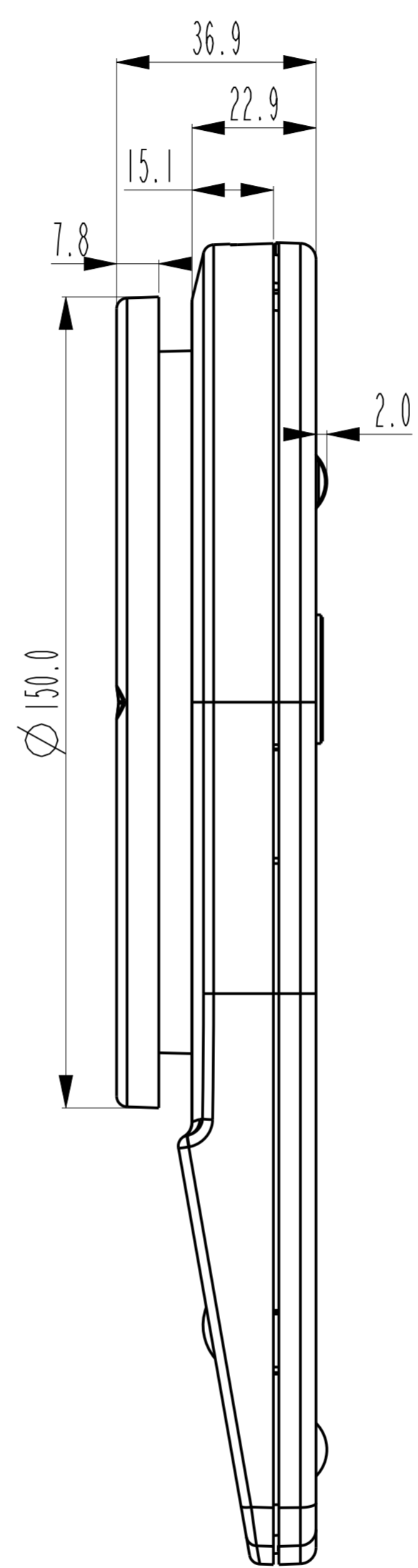
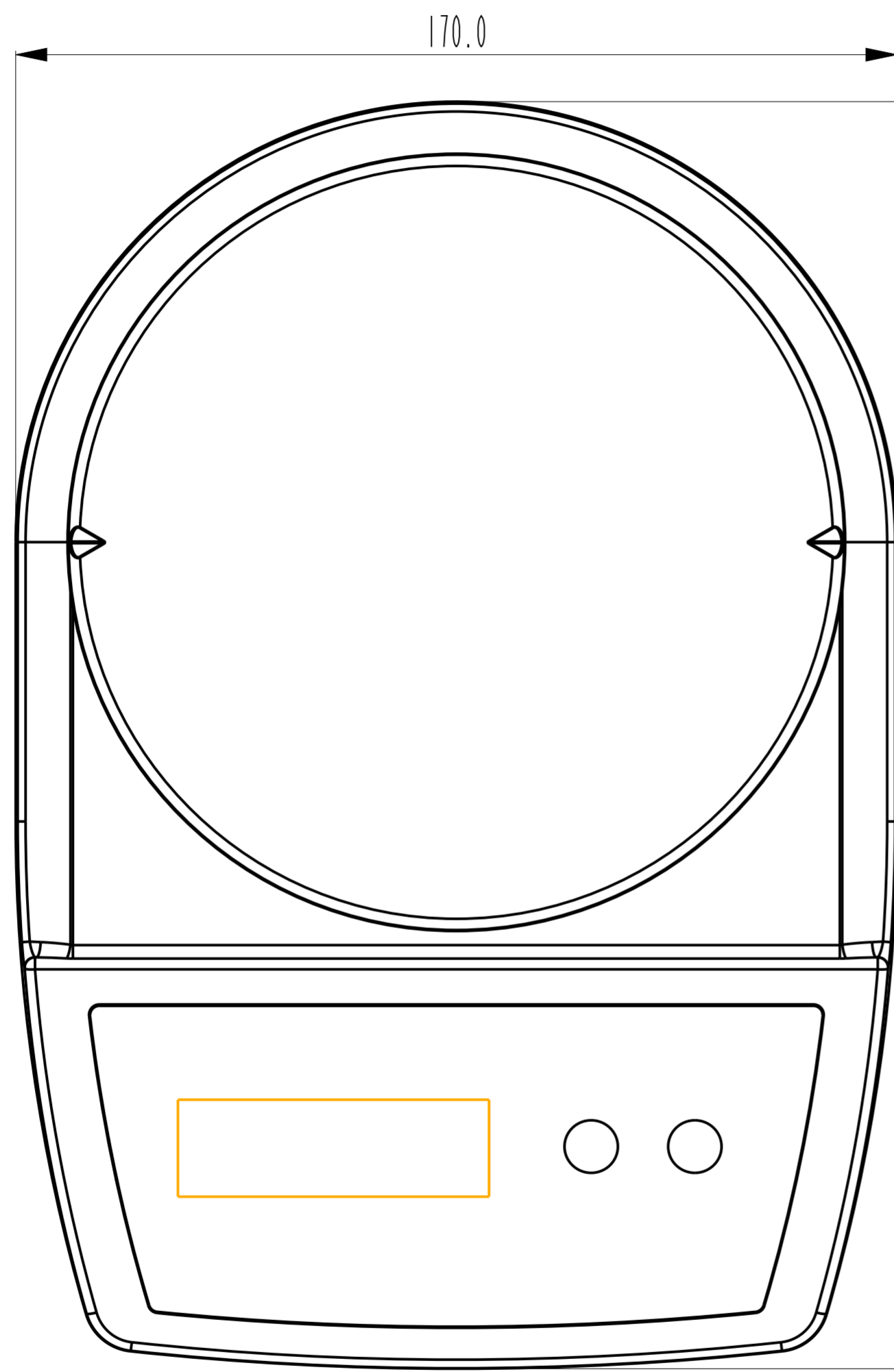
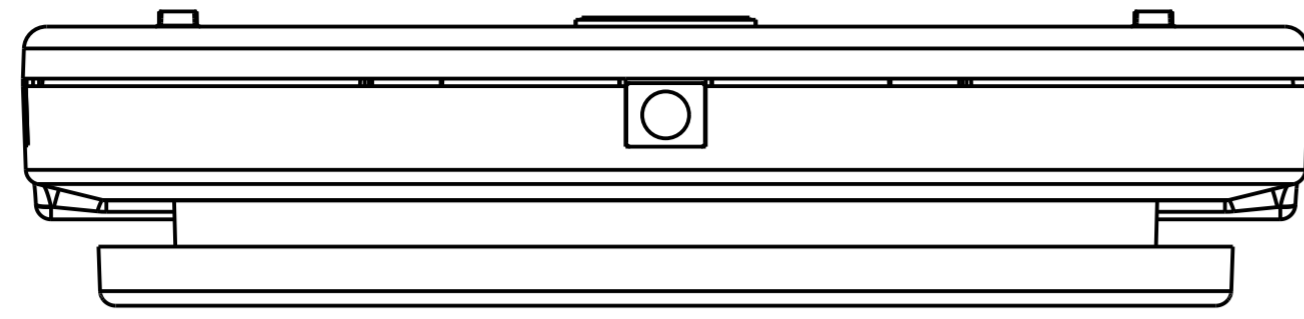


REVISIONS				
ZONE	REV.	DESCRIPTION	DATE	APPROVED
	00	N/A	Nov22,21	



TOLERANCE UNLESS OTHERWISE SPECIFIED DEC ANGLES ±0.1 FOR 0.X ±0.5 ±0.05 FOR 0.XX		KERN® KERN & Sohn GmbH		
3RD ANGLE PROJECTION		TITLE: 914-01/02/11/12/13/111/30 Dimensions Drawing		
DRAWN ZhaoZiBing	Nov22,21	MODEL NO. 1.14.0914010020/110/ 120/130/111/300)	PART NO.	NONE
CHECKED		MATERIAL	FINISH	NONE
APPROVED		SCALE	DO NOT SCALE DRAWING	SHEET 1 OF 1
UNIT	mm	SCALE	1 : 1	