

BATTERY POWERED DIGITAL THERMOMETERS

DM660P SERIES

- BATTERY POWERED
- LARGE 4 DIGIT LCD DISPLAY
- Pt100, Ni120, Cu53, Cu100 Sensors
- PUSH BUTTON MAX / MIN TEMPERATURE
- 100 mm STAINLESS STEEL DIAL GAUGE HOUSING
- SEALED TO IP65



INTRODUCTION

The DM660 series of battery powered indicators accept an RTD input and displays the sensor temperature on a 4 digit LCD display.

The unit is microprocessor based and provides high accuracy performance over a wide ambient operating temperature. Max/Min temperature buttons are provided on the front panel. Different sensor types are selected using a rotary switch on the rear of the product.

SPECIFICATION @20 °C

General

Sensor
RTD

Pt100
Ni100
Ni120
Cu53
Cu100

Display 4 digit LCD, 20 mm high
Ambient Operating (-10 to 50) °C

Battery Type
replaceable

Battery Life
'Battery Low' Alarm
Display Update
CE

3.6 V Lithium AA 2.4 Ahr
1 year minimum @ 20 °C
Via display
2 Seconds
EMC to BS EN 61326:2006

Mechanical Specifications

Connection 3 terminal screw block
Environmental Protection IP65

DM660P

Accuracy / Stability

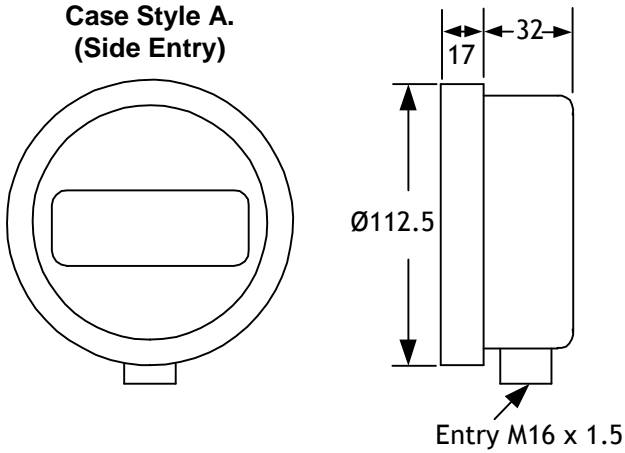
Sensor	Range °C	Accuracy @ 20°C	Temperature Stability
Pt100 3851	-100 to 800	± 0.2°C ± 0.1 % of reading	± 0.015% full range / °C
Pt100 391	-100 to 630		
Pt100 392	-100 to 630		
Pt100 393	-100 to 800		
Ni100	-50 to 170		
Ni120	-70 to 260		
Cu100	-80 to 250	± 0.4°C ± 0.1 % of reading	
Cu53	-40 to 180		

BATTERY POWERED DIGITAL THERMOMETERS

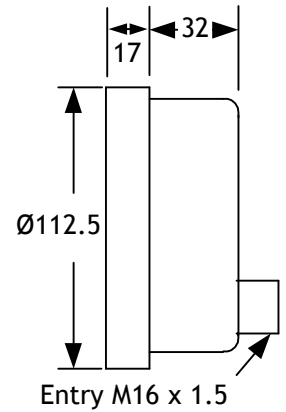
HOUSING DETAILS

(All Dimensions in mm)

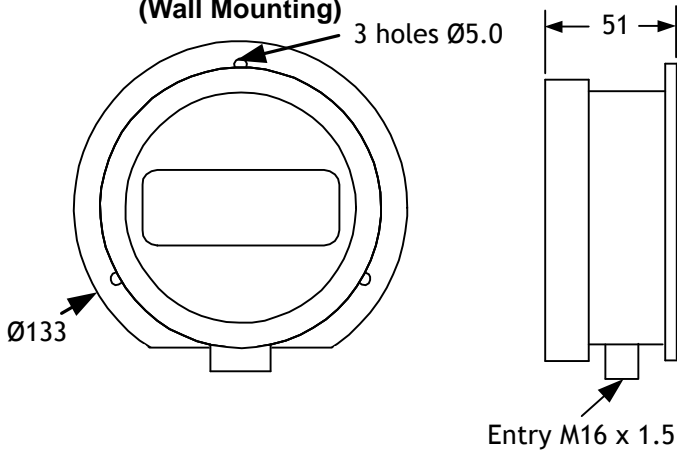
**Case Style A.
(Side Entry)**



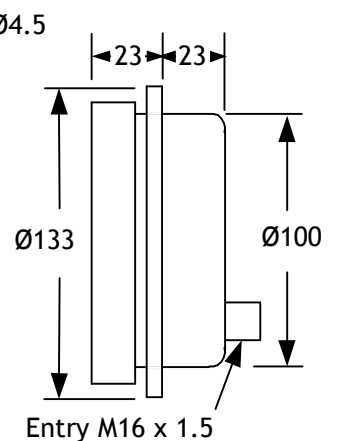
**Case Style C.
(Rear Entry)**



**Case Style B.
(Wall Mounting)**



**Case Style D.
(Panel Mounting)**



ORDER CODE

DM660

/

Case Style:

Standard Side Entry	A
Wall Mount Side Entry	B
Standard Rear Entry	C
Panel Mount Rear Entry	D